



Industrie Service

EC type-examination certificate

Certificate no.: AFV 515/1

Notified body: TÜV SÜD Industrie Service GmbH
Zertifizierungsstelle für Aufzüge und Sicherheitsbauteile
Westendstraße 199, 80686 München - Germany

**Applicant/
Certificate holder:** P.F.B. s.r.l.
Via Raimondo Dalla Costa, 690
41100 Modena - Italy

Date of submission: 2006-05-09

Manufacturer: P.F.B. s.r.l.
Via Raimondo Dalla Costa, 690
41100 Modena - Italy

Product, type: Instantaneous safety gear, type BP-1

Test Laboratory: TÜV SÜD Industrie Service GmbH
Prüfbereich Aufzüge und Sicherheitsbauteile
Westendstrasse 199, 80686 München - Germany

**Date and number
of test report:** 2006-05-19
515/1

EC-directive: 95 / 16 / EC

Statement: The safety component conforms to the directives safety requirements for the respective scope of application stated on page 1 of the annex to this EC type-examination certificate.

Certificate date: 2006-05-19

Zertifizierungsstelle für Aufzüge und Sicherheitsbauteile
EC identification number: 0036

D. Roas
Dieter Roas



Annex to the EC type-examination certificate no. AFV 515/1

1. Scope of Application

- 1.1 Maximum permissible total mass of car and rated load or counterweight in using one pair of safety gears, depends on maximum tripping speed of the overspeed governor and the blade width of guide rails

Tripping speed (m/s)	Maximum total mass (kg)	
	Blade width 6-8 mm	Blade width 9 mm
0,50	1573	2564
0,60	1513	2467
0,70	1449	2362
0,80	1381	2251
0,90	1311	2137
1,00	1241	2022
1,10	1171	1910
1,20	1104	1799
1,32	1026	1673
1,65	835	1362

- 1.2 Maximum rated speed

- 1.2.1 Car 0,63 m/s
1.2.2 Counterweight 1,00 m/s

- 1.3 Maximum tripping speed of overspeed governor

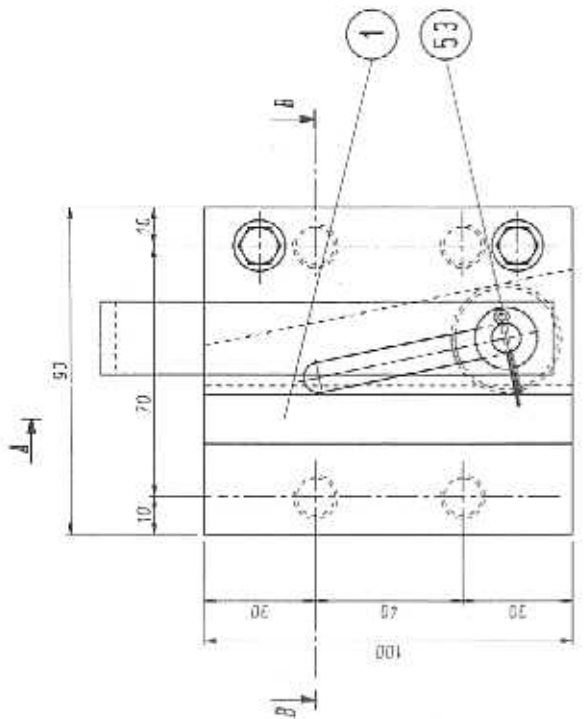
- 1.3.1 Car 1,00 m/s
1.3.2 Counterweight 1,65 m/s

- 1.4 Guide rails

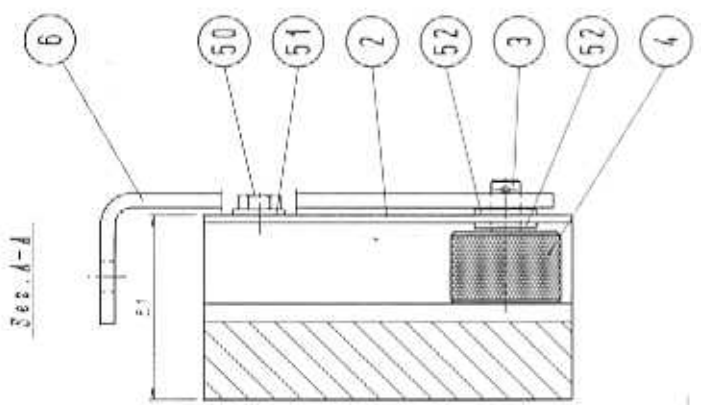
- 1.4.1 Minimum running surface width of guide rails 23 mm

2. Remarks

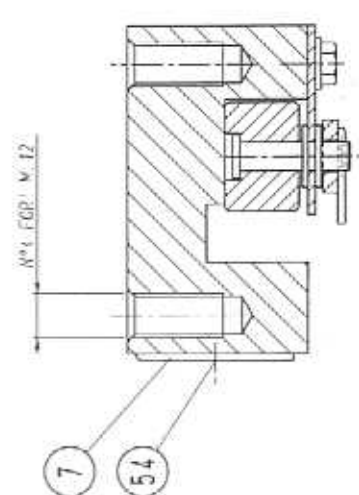
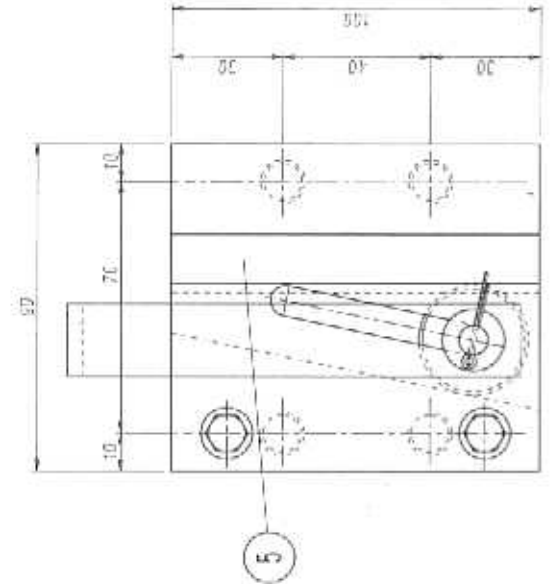
- 2.1 The test over covered the safety gear and the safety gear elements (rollers) and did not include either the connection between the individual safety gear elements (safety gear rods) or the actuation of the electric safety device. When connecting the safety gear elements to the overspeed governor, attention must be paid to the fact that, at the point at which the overspeed governor rope engages, the distance to the engaging of the safety gear components does not exceed 0,03 m.
- 2.2 In order to provide identification and information about the basic design and its functioning and to show the environmental conditions and connection requirements pertaining to the tested and approved type, and to define which parts have been tested, drawing No. BP.1 or BP.1B dated March 1999 is to be enclosed with the EC type-examination certificate and the annex thereto.
- 2.3 The EC type-examination certificate may only be used in connection with the pertinent annex.



PARACADUTE SX



PARACADUTE DX



Sec. B-B

28 MAR 2006



7	TARABETTA C'IDENTIFICAZIONE	1	BP 1_08	200000000
8	STOFFA	1	BP 1_07	200000002
3	BLOCCO OLIVINO	1	BP 1_05	200000005
4	BULLONE TORNANTE	1	BP 1_04	200000006
3	PERNO PORTA ORELLI TORNANTE	1	BP 1_03	200000008
2	LAMERINO	1	BP 1_02	200000009
1	BLOCCO MISTO	1	BP 1_05	200000000
POS	DESCRIZIONE SPECIFICAZIONE MATERIALE	Q.TA' STOCK	DIS. N° - SPEC. CORRELATIVE	CODICE MATERIALE

MODIFICHE - MODIFIKATIONEN

N.	DATA	DESCRIZIONE
1	08/88	ARRIBO 15.8° BP 1.03 E 8°2' LIBRETTA A STRAPP E 1.03.
2	01/90	MODIFICATI 815.8° BP 1.01, BP 1.04, BP 1.03
3	08/84	MODIFICATE 815.8° BP 1.04.
4	01/88	MODIFICATE 815.8° BP 1.03 E BP 1.01

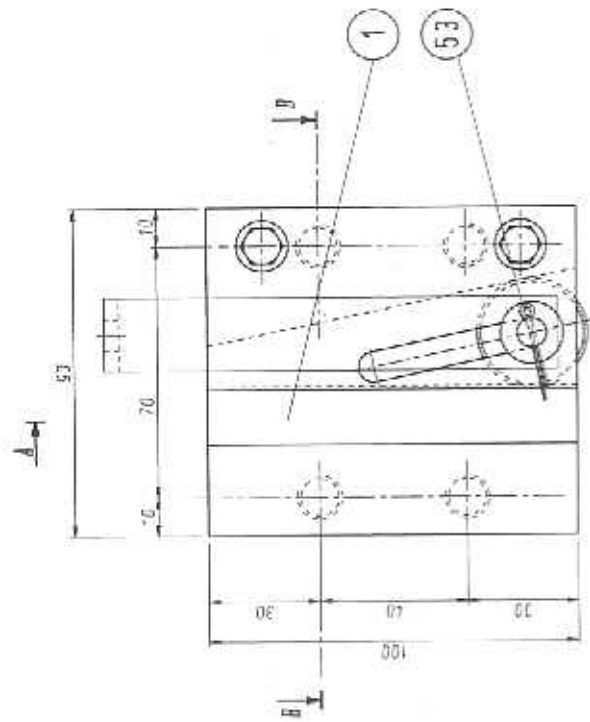
NUMERO SOTTOCASSA SOTTOGABBI	AS	LOCALITÀ	1:1	2:1a	LIVELLO, SEN. PARTICOLARI	NOTE
DENOMINAZIONE			COMPRESSIVO		QUALITÀ	
T. L. QUOTE LINEE			T. L. QUOTE LINEE		STRADA - N° IND.	
A. L. QUOTE LINEE			A. L. QUOTE LINEE		CHIAM.	
S. L. QUOTE LINEE			S. L. QUOTE LINEE		REDA. N°	
V. L. QUOTE LINEE			V. L. QUOTE LINEE		T. L.	
W. L. QUOTE LINEE			W. L. QUOTE LINEE		DIS.	
X. L. QUOTE LINEE			X. L. QUOTE LINEE		DIS. N°	
Y. L. QUOTE LINEE			Y. L. QUOTE LINEE		DIS. N°	
Z. L. QUOTE LINEE			Z. L. QUOTE LINEE		DIS. N°	
AA. L. QUOTE LINEE			AA. L. QUOTE LINEE		DIS. N°	
BB. L. QUOTE LINEE			BB. L. QUOTE LINEE		DIS. N°	
CC. L. QUOTE LINEE			CC. L. QUOTE LINEE		DIS. N°	
DD. L. QUOTE LINEE			DD. L. QUOTE LINEE		DIS. N°	
EE. L. QUOTE LINEE			EE. L. QUOTE LINEE		DIS. N°	
FF. L. QUOTE LINEE			FF. L. QUOTE LINEE		DIS. N°	
GG. L. QUOTE LINEE			GG. L. QUOTE LINEE		DIS. N°	
HH. L. QUOTE LINEE			HH. L. QUOTE LINEE		DIS. N°	
II. L. QUOTE LINEE			II. L. QUOTE LINEE		DIS. N°	
JJ. L. QUOTE LINEE			JJ. L. QUOTE LINEE		DIS. N°	
KK. L. QUOTE LINEE			KK. L. QUOTE LINEE		DIS. N°	
LL. L. QUOTE LINEE			LL. L. QUOTE LINEE		DIS. N°	
MM. L. QUOTE LINEE			MM. L. QUOTE LINEE		DIS. N°	
NN. L. QUOTE LINEE			NN. L. QUOTE LINEE		DIS. N°	
OO. L. QUOTE LINEE			OO. L. QUOTE LINEE		DIS. N°	
PP. L. QUOTE LINEE			PP. L. QUOTE LINEE		DIS. N°	
QQ. L. QUOTE LINEE			QQ. L. QUOTE LINEE		DIS. N°	
RR. L. QUOTE LINEE			RR. L. QUOTE LINEE		DIS. N°	
SS. L. QUOTE LINEE			SS. L. QUOTE LINEE		DIS. N°	
TT. L. QUOTE LINEE			TT. L. QUOTE LINEE		DIS. N°	
UU. L. QUOTE LINEE			UU. L. QUOTE LINEE		DIS. N°	
VV. L. QUOTE LINEE			VV. L. QUOTE LINEE		DIS. N°	
WW. L. QUOTE LINEE			WW. L. QUOTE LINEE		DIS. N°	
XX. L. QUOTE LINEE			XX. L. QUOTE LINEE		DIS. N°	
YY. L. QUOTE LINEE			YY. L. QUOTE LINEE		DIS. N°	
ZZ. L. QUOTE LINEE			ZZ. L. QUOTE LINEE		DIS. N°	

54	LIBRETTA A STRAPP	2	62.8x7	207000002
53	OP-BELLA	1	62x20 UNI 1336	210000005
52	BOMBELLA	2	88 UNI 6502	200000002
51	BOMBELLA	2	96 UNI 1751	200000001
50	PISTE	2	M 5x16 UNI 5739	207000004

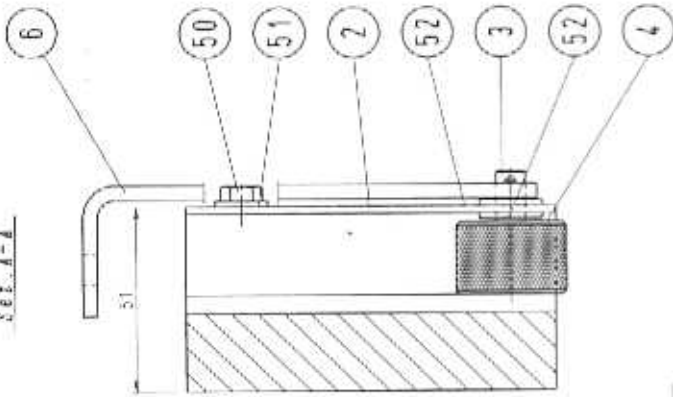


BP. 1A

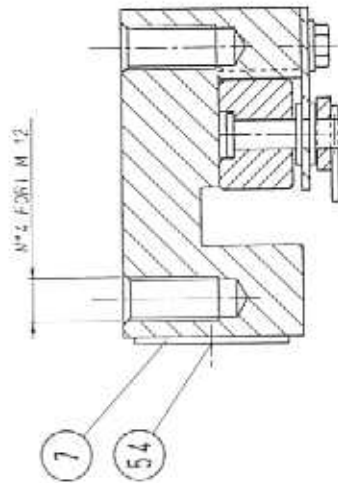
Set A-D



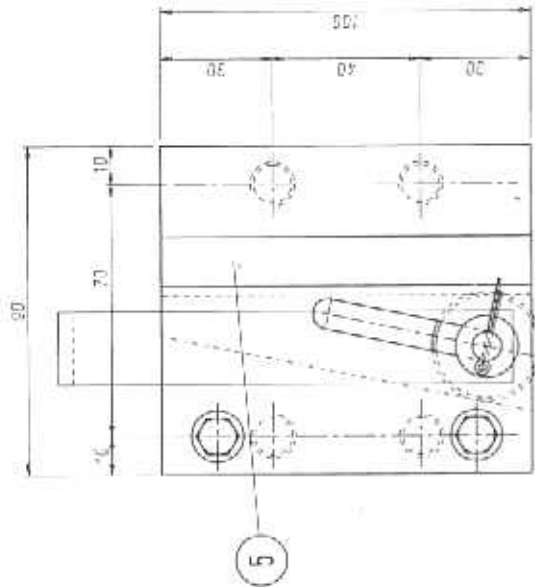
PARACADUTE SX



Set B-D



28 MAR 2008
 TUO INGENNERIA SERVICE CENTER
 T.M.A.
 VASCO



PARACADUTE SX

7	COMPONENTI IDENTIFICAZIONE	1	BP 1.04	200000020
8	STAMPA	1	SP 1.07	200000002
5	MANICO GESTORE	1	SP 1.05	200000005
4	MOLETTA STABILIZZANTE	1	SP 1.04	200000006
3	PERNO PUNTA PULLO STABILIZZANTE	1	BP 1.03	203000008
2	LABBIALE	1	BP 1.06	203000031
1	ELICOIDI STABILIZZANTI	1	BP 1.01	200000000
POS	DESCRIZIONE AZIONE	D.D.A. T.M.A. - SIDA COPERTURE STOCK RILASCIANDO		

MODIFICHE - MODIFIKATIONEN

NR.	DATA	DESCRIZIONE
NR.	DATA	REVISIONE
1	01/88	PRODOTTORE 115 N° 101.101 E 101.102 INVESTITO A STAMPA (D.D.A.)
2	01/88	MODIFICATI 015 N° 101.101, 101.104, 101.105
3	08/84	MODIFICATI 015 N° 101.101
4	01/84	MODIFICATO 015 N° 101.101 E 101.105

NUMERO	1:1	2:2	3:3	4:4
PRODOTTORE	DEMENTE LOM			
DESCRIZIONE	COMPRESSORE			
GRUPPO	PARACADUTE BP 1.05 SIDA 9			
PRODOTTORE	MECCANICA			
NUMERO	1:1	2:2	3:3	4:4
PRODOTTORE	COMPONENTI MECCANICI PER ASCENSORI			
NUMERO	1:1	2:2	3:3	4:4
PRODOTTORE	MECCANICA			
NUMERO	1:1	2:2	3:3	4:4
PRODOTTORE	MECCANICA			

54	RIVETTA A STAMPA	1	Ø 7,5 x 7	2007000012
53	FORNELLA	1	Ø 22 x 0 UNI 1335	2005000005
52	FORNELLA	2	Ø 6 UNI 6592	2005000012
51	FORNELLA	2	Ø 6 UNI 1751	2005000001
50	VITE	2	M 6 x 15 UNI 5733	2005000004