



## EC type-examination certificate

**Certificate no.:** AGB 064/6

**Notified body:** TÜV SÜD Industrie Service GmbH  
Westendstr. 199  
80686 München - Germany

**Applicant/  
Certificate holder:** P.F.B. s.r.l.  
Via Raimondo Dalla Costa, 690  
41122 Modena - Italy

**Date of application:** 2011-09-08

**Manufacturer of the test sample:** P.F.B. s.r.l.  
Via Raimondo Dalla Costa, 690  
41122 Modena - Italy

**Product:** Overspeed governor

**Type:** R5

**Test laboratory:** TÜV SÜD Industrie Service GmbH  
Prüflaboratorium für Produkte der Fördertechnik  
Prüfbereich Aufzüge und Sicherheitsbauteile  
Westendstr. 199  
80686 München - Germany

**Date and  
number of the test report:** 2011-09-22  
AGB 064/6

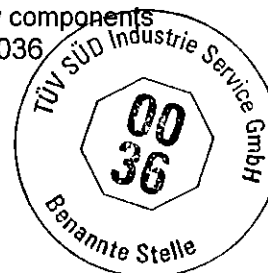
**EC-Directive:** 95 / 16 / EC

**Result:** The safety component conforms to the essential safety requirements of the Directive for the respective scope of application stated on page 1 of the annex to this EC type-examination certificate.

**Date of issue:** 2011-09-23

Certification body for lifts and safety components  
Identification number: 0036

*C. Rührmeyer*  
Christian Rührmeyer





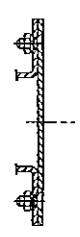
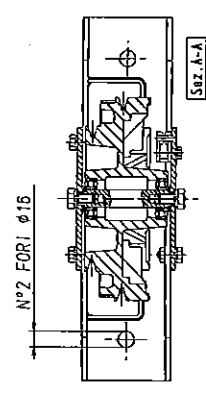
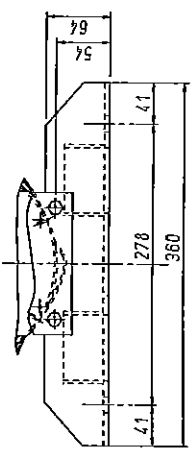
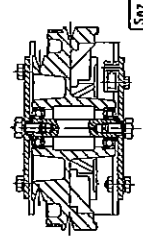
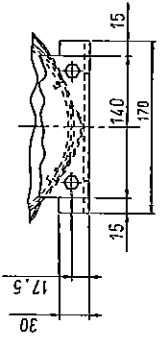
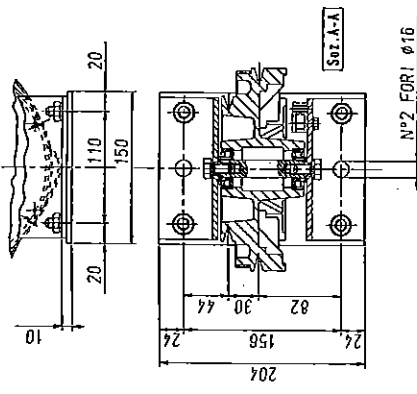
**Annex to the EC type-examination certificate  
No. AGB 064/6 dated 2011-09-23**

**1. Scope of application**

1.1	Permissible tripping speed	0.24 – 1.78 m/s
1.2	Permissible rated speed	≤ 1.55 m/s
1.3	Driving rope	
1.3.1	Category	Round strand rope made of steel wire
1.3.2	Diameter	6 – 6.5 mm
1.4	Minimum tension forces (force produced by the tensioning weight, acting on the axis of rope deviating pulley)	
1.4.1	Tensioning force determined in the test (New rope and groove)	222 N
1.4.2	Tension force determined by calculation (coefficient of friction $\mu = 0,09$ )	706 N
1.5	Tensile force at minimum tension force	550 N

**2. Remarks**

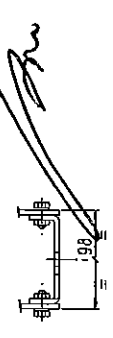
- 2.1 The adjusted tripping speed, the safety switch and the weight of the operating lever must be sealed against unauthorised adjustment (safety switch and weight of the operating lever for example by colour sealing of the fastening bolts. Safety switch only if switching off is required prior to achieving the tripping speed)
- 2.2 The direction of rotation for retracting the safety gear is to be marked at the overspeed governor.
- 2.3 Possible design variants
- Preliminary switch off intended
  - Remote tripping device
  - Remote resetting device of the safety switch
  - Protection device against rope leaving the pulley
- 2.4 In order to provide identification and information about the basic design and its functioning and to show the environmental conditions and connection requirements pertaining to the tested and approved type, and to differentiate it from others, drawing No. 96/5001 with alteration date June 2011 and certification stamp dated 2011-09-23 is to be enclosed with EC type-examination certificate and the annex thereto.
- 2.5 The EC type-examination certificate may only be used in connection with the pertinent annex and the list of the authorized manufacturers (according to enclosure). This enclosure shall be updated and re-edited following information of the certificate holder.



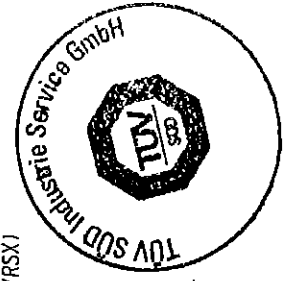
VERSIONE STANDARD  
STANDARD VERSION  
(R. 5/DX - R. 5/SX)

23. Sep. 2011

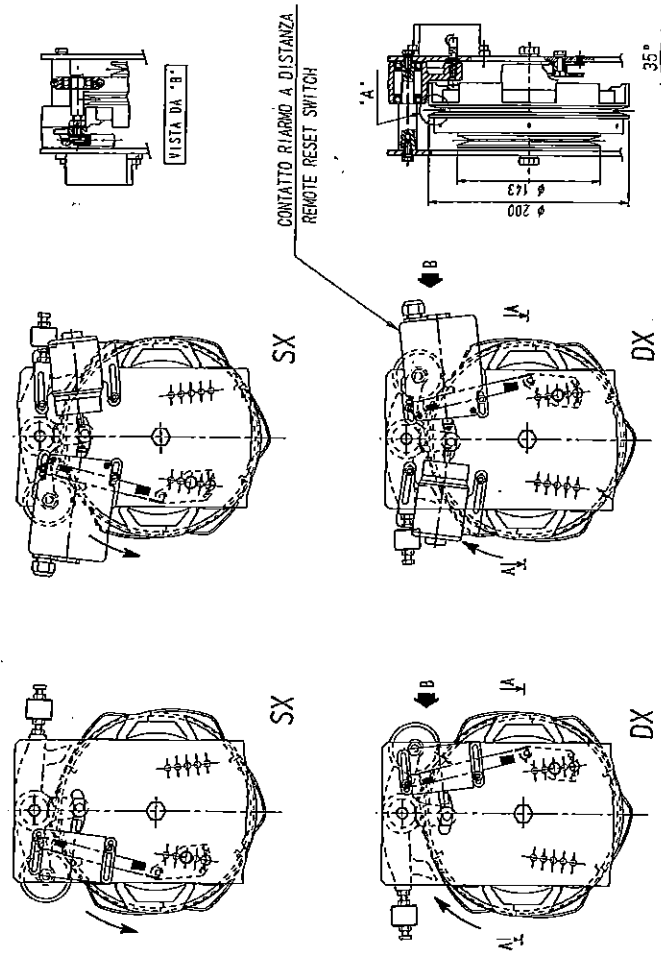
**- GEPRÜFT -**  
TUV SÜD Industrie Service GmbH  
Zentralbereich Fördertechnik-Sonderbauten  
Abteilung Aufzüge und Sicherheitsbauteile  
Westendstr. 199, D-80686 München  
Der Sachverständige



VERSIONE "R" INGOMBRO RIDOTTO  
VERSION "R" WITH SMALL BASE  
(R. 5/RDX - R. 5/RSX)



VERSIONE "SP"  
CON BASAMENTO SALVAFUNE  
VERSION "SP" WITH BASE  
PROTECTION OF ROPE  
(R. 5/SPDX - R. 5/SPSX)



DIVERSE VERSIONI  
DIFFERENT VERSIONS

**MODIFICHE - MODIFIKATIONEN**

NR.	DATA	DESCRIZIONE
NR.	DATE	BESCHREIBUNG
1	11/01	MODIFICATO SALTARELLO E AGGIUNTA VERSIONE CON COMANDO A DISTANZA
2	06/11	MODIFICATO FORMA COSTRUTTIVA FIANCATE

Spursi non quotati / 45°	scala 1:5	Q. ta'	NOTE
Reggi non quotati	DENOMINAZIONE		MATERIALE
TOLL. QUOTE LIBERE	COMPLESSIVO		QUALITA'
S.L. REGG. TOLL.	GRUPPO LIMITATORE DI VELOCITA' R. 5		STATO-N° MOD.
▽ ± 0.2	MACCHINA		DIMEN.
▽▽ ± 0.15	FORI		PESO Kg.
▽▽▽ ± 0.1	ALBERI		T.T.
▽▽▽▽ ± 0.04	//		DIS. 10/98
▽▽▽▽▽ ± 0.04	COMPONENTI MECCANICI PER ASCENSORI		UER.
▽▽▽▽▽▽	TUV SÜD		DIST. N°
▽▽▽▽▽▽▽	IL PRESENTE DISEGNO È DI PROPRIETÀ DELLA PFB SRL, NE È VIETATA LA DIFFUSIONE A TERMINI DI LEGGE, SENZA AUTORIZZAZIONE		COMPL. N°
▽▽▽▽▽▽▽▽	N° FILE: 96-5801		DTS. N° 96/5001