



Industrie Service

EC type-examination certificate

Certificate no.:	AGB 184/4
Notified body:	TÜV SÜD Industrie Service GmbH Westendstr. 199 80686 München - Germany
Applicant/ Certificate holder:	P.F.B. s.r.l. Via Raimondo Dalla Costa, 690 41122 Modena - Italy
Date of application:	2011-11-11
Manufacturer of the test sample:	P.F.B. s.r.l. Via Raimondo Dalla Costa, 690 41122 Modena - Italy
Product:	Overspeed governor
Type:	LK 300
Test laboratory:	TÜV SÜD Industrie Service GmbH Prüflaboratorium für Produkte der Fördertechnik Prüfbereich Aufzüge und Sicherheitsbauteile Westendstr. 199 80686 München - Germany
Date and number of the test report:	2011-12-02 AGB 184/4
EC-Directive:	95 / 16 / EC
Result:	The safety component conforms to the essential safety requirements of the Directive for the respective scope of application stated on page 1 of the annex to this EC type-examination certificate.
Date of issue:	2011-12-05

Certification body for lifts and safety components
Identification number: 0036

C. Rührmeyer
Christian Rührmeyer





Industrie Service

**Enclosure of EC type-examination certificate
no. AGB 184/4 dated 2011-12-05**

Authorised manufacturers – production sites (stated: 2011-12-05):

P.F.B. s.r.l.

Via Raimondo Dalla Costa, 690
41122 Modena - Italy

- END OF DOCUMENT -

Base: Letter of Co. P.F.B. s.r.l. dated 2011-11-11

**Annex to the EC type-examination certificate
No. AGB 184/4 dated 2011-12-05**

1 Scope of application

- 1.1 Permissible tripping speed 0.40 – 2.73 m/s
- 1.2 Permissible rated speed ≤ 2.37 m/s
- 1.3 Driving rope
- 1.3.1 Category Round strand rope made of steel wire
- 1.3.2 Diameter 6 – 8 mm
- 1.4 Tension forces (force produced by the tensioning weight, acting on the axle of pulley)

Tension force determined in the test [N] (New rope and groove)	Tensile force in	
	Down direction [N]	Up direction [N]
583	736	----
1020	1619	451

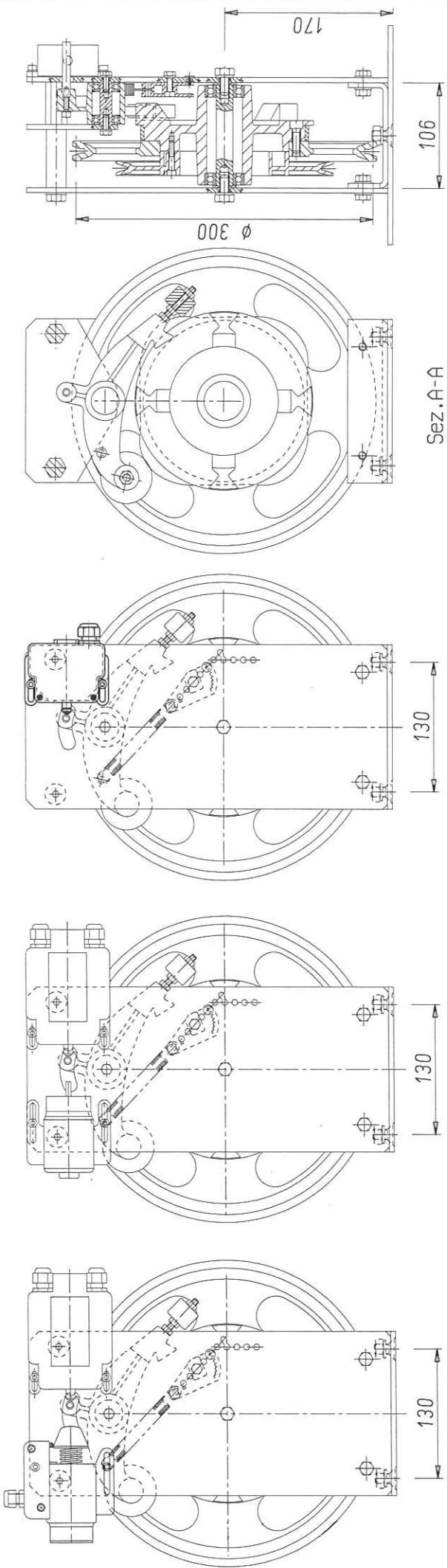
2 Conditions

- 2.1 The adjusted tripping speed and the safety switch must be sealed against unauthorized adjustment (safety switch e.g. by colour sealing of the fastening bolts).
- 2.2 Positioning of the overspeed governor vertical with rocker above pulley.
- 2.3 Rope deflection vertical with 180° angle of wrap.

3 Remarks

- 3.1 Retraction of the safety gear in both directions of rotation permissible
- 3.2 Possible equipments:
- Preliminary switch off
 - Remote tripping device
 - Remote resetting device of the safety switch
 - Impulse producer (encoder)
 - Protection device against rope leaving the pulley
 - Covering
 - Magnetic sensor
- 3.3 In order to provide identification and information about the basic design and its functioning and to show the environmental conditions and connection requirements pertaining to the tested and approved type, and to differentiate it from others, drawing LK_300 respectively LK_300/A with certification stamp dated 2011-12-05 is to be enclosed with EC type-examination certificate and the annex thereto.
- 3.4 The EC type-examination certificate may only be used in connection with the pertinent annex and the list of the authorized manufacturers (according to enclosure). This enclosure shall be updated and re-edited following information of the certificate holder.

Note: The English text is a translation of the German original. In case of any discrepancy, the German version is valid only.



- 5. Dez. 2011

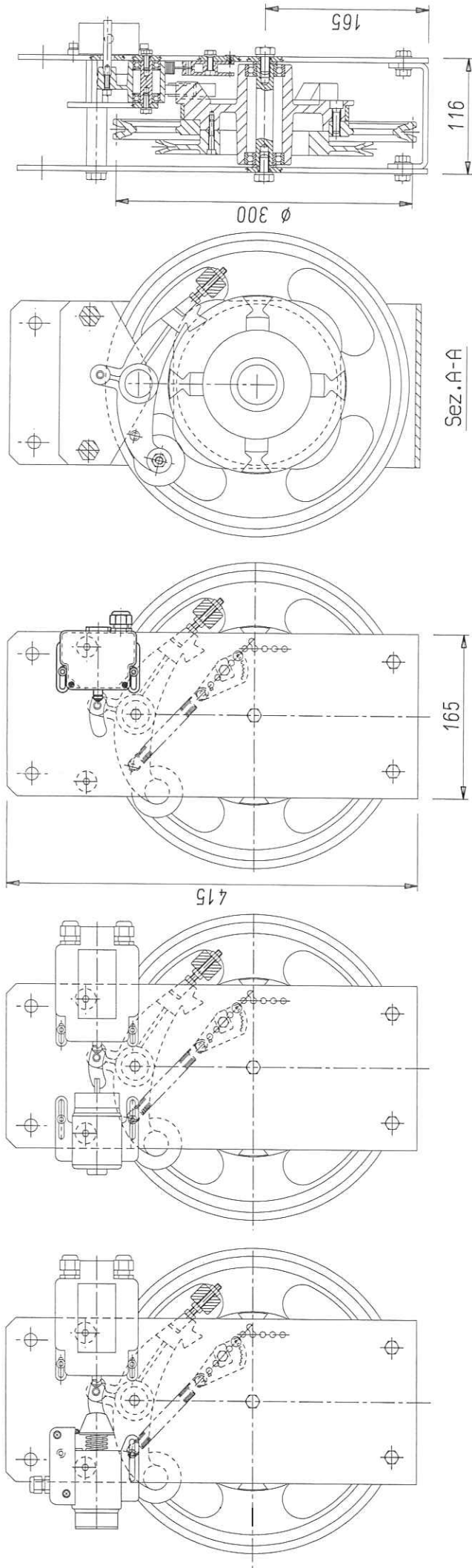
- GEPRÜFT -
 TÜV SÜD Industrie Service GmbH
 Zentralbereich Fördergerätek-Bauabteilungen
 Abteilung Auszüge und Sicherheits-Aurteile
 Westendstr. 199, D-80686 München
 Der Sachverständige



4	10/11	AGGIUNTA VARIANTE CON ELETTROMAGNETE
3	10/00	MODIFICATA PULEGGIA DI PROVA.
2	06/99	AGGIUNTO CONTRAPPESO PER SALTARELLO.
1	02/99	TOLTI N°2 SEEGER NEL MOZZO DELLA PULEGGIA.
NR.	DATA	DESCRIZIONE
NR.	DATA	BESCHREIBUNG
MODIFICHE - MODIFIKATIONEN		

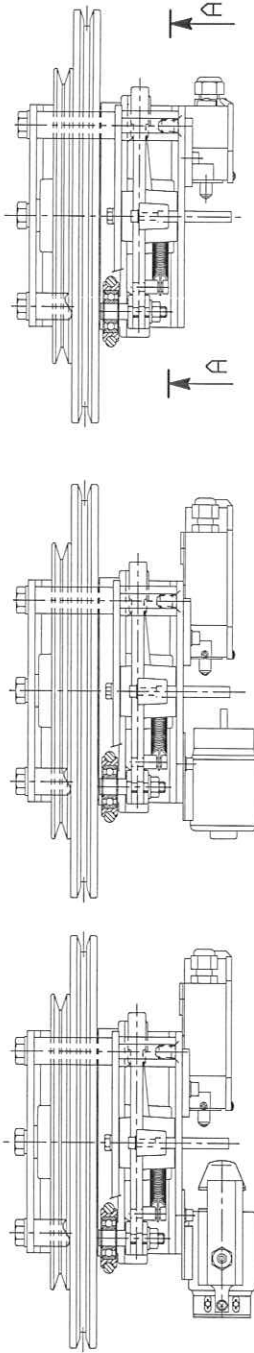
Smussi non quotati	/45°	scala	1:1	q. ta'		LAVOR. GEN.		NOTE
Raggi non quotati		DENOMINAZIONE				MATERIALE		
TOLL. QUOTE LIBERE		COMPLESSIVO				QUALITA'		
S.L.		GRUPPO				STATO-N° -MOD.		
RUGOS. max.		LIMITATORE LK_300				DINEN.		
TOLL.		INTERNATIONAL APPLICATION N° PCT/EP97/00466				PESO KG.		
+ 0.2						T.T.		
+ 0.15					UER.		DATA	
+ 0.1						DIS.		12/97
+ 20'						COD. N°		8024200300
0.04						DIS. N°		LK_300
0.04								
0.04								

IL PRESENTE DISEGNO E' DI PROPRIETA' DELLA P.F.B. S.R.L. NE E' VIETATA LA DIVULGAZIONE A TERTINI DI LEGGE, SENZA AUTORIZZAZIONE



- 5. Dez. 2011

- GEPRÜFT -
 TÜV SÜD Industrie Service GmbH
 Zentralbereich Fördertechnik-Sonderanlagen
 Abteilung Aufzüge und Sicherheitsgeräte
 Westendstr. 193, D-80686 München
 Der Sachverständige



Smussi non quotati / 45°	scala 1:4	Q. ta'	LAUV. GEN.	NOTE
Raggi non quotati	DENOMINAZIONE		MATERIALE	
TOLL. QUOTE LIBERE	COMPLESSIVO		QUALITA'	
S.L. RUGOS. max.	GRUPPO		STATO-N° -MOD.	
▽ + 0.2	LIMITATORE LK_300/A		DIMEN.	
▽ + 0.15	INTERNATIONAL APPLICATION N° PCT/EP97/00466		PESO kg.	
▽ + 0.1	FORI		T.T.	
▽ + 20°	ALBERI		DIS.	12/04
⊖ 0.04			COD. N°	8024202300
// 0.04			DIS. N°	LK_300/A

1	10/11	DATA	DESCRIZIONE
NR.	DATA	DATA	BESCHREIBUNG
AGGIUNTA VARIANTE CON ELETTROMAGNETE			
MODIFICHE - MODIFIKATIONEN			

IL PRESENTE DISEGNO E' DI PROPRIETA' DELLA PFB SRL. NE E' VIETATA LA DIVULGAZIONE A TERZINI DI LEGGE. SENZA AUTORIZZAZIONE

METI E 116 2004-2