



## EC type-examination certificate

<b>Certificate no.:</b>	AGB 186/4
<b>Notified body:</b>	TÜV SÜD Industrie Service GmbH Westendstr. 199 80686 München - Germany
<b>Applicant/ Certificate holder:</b>	P.F.B. s.r.l. Via Raimondo Dalla Costa, 690 41122 Modena - Italy
<b>Date of application:</b>	2011-11-11
<b>Manufacturer of the test sample:</b>	P.F.B. s.r.l. Via Raimondo Dalla Costa, 690 41122 Modena - Italy
<b>Product:</b>	Overspeed governor
<b>Type:</b>	LK 315
<b>Test laboratory:</b>	TÜV SÜD Industrie Service GmbH Prüflaboratorium für Produkte der Fördertechnik Prüfbereich Aufzüge und Sicherheitsbauteile Westendstr. 199 80686 München - Germany
<b>Date and number of the test report:</b>	2011-12-02 AGB 186/4
<b>EC-Directive:</b>	95 / 16 / EC
<b>Result:</b>	The safety component conforms to the essential safety requirements of the Directive for the respective scope of application stated on page 1 of the annex to this EC type-examination certificate.
<b>Date of issue:</b>	2011-12-05

Certification body for lifts and safety components  
 Identification number: 0036

  
 Christian Rührmeyer





Industrie Service

**Enclosure of EC type-examination certificate  
no. AGB 186/4 dated 2011-12-05**

**Authorised manufacturers – production sites (stated: 2011-12-05):**

**P.F.B. s.r.l.**

Via Raimondo Dalla Costa, 690  
41122 Modena - Italy

- END OF DOCUMENT -

Base: Letter of Co. P.F.B. s.r.l. dated 2011-11-11



**Annex to the EC type-examination certificate  
No. AGB 186/4 dated 2011-12-05**

**1 Scope of application**

- 1.1 Permissible tripping speed 0.40 – 3.24 m/s
- 1.2 Permissible rated speed ≤ 2.81 m/s
- 1.3 Driving rope
- 1.3.1 Category Round strand rope made of steel wire
- 1.3.2 Diameter 8 – 10 mm
- 1.4 Tension forces (force produced by the tensioning weight, acting on the axle of pulley)

Tension force determined in the test [N] (New rope and groove)	Tensile force in	
	Down direction [N]	Up direction [N]
583	736	----
1020	1619	451

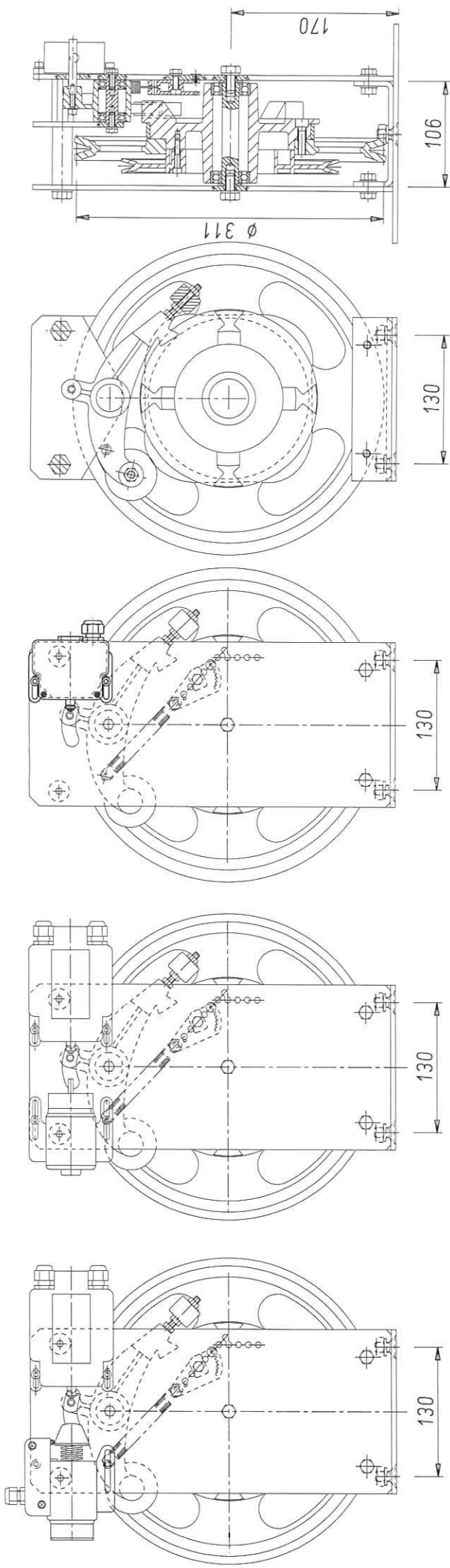
**2 Conditions**

- 2.1 The adjusted tripping speed and the safety switch must be sealed against unauthorized adjustment (safety switch e.g. by colour sealing of the fastening bolts).
- 2.2 Positioning of the overspeed governor vertical with rocker above pulley.
- 2.3 Rope deflection vertical with 180° angle of wrap.

**3 Remarks**

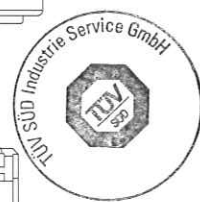
- 3.1 Retraction of the safety gear in both directions of rotation permissible
- 3.2 Possible equipments:
  - Preliminary switch off
  - Remote tripping device
  - Remote resetting device of the safety switch
  - Impulse producer (encoder)
  - Protection device against rope leaving the pulley
  - Covering
  - Magnetic sensor
- 3.3 In order to provide identification and information about the basic design and its functioning and to show the environmental conditions and connection requirements pertaining to the tested and approved type, and to differentiate it from others, drawing LK\_315 respectively LK\_315/A with certification stamp dated 2011-12-05 is to be enclosed with EC type-examination certificate and the annex thereto.
- 3.4 The EC type-examination certificate may only be used in connection with the pertinent annex and the list of the authorized manufacturers (according to enclosure). This enclosure shall be updated and re-edited following information of the certificate holder.

**Note:** The English text is a translation of the German original. In case of any discrepancy, the German version is valid only.



- 5. Dez. 2011

- GEPRÜFT -  
TUV SÜD Industrie Service GmbH  
Zentralbereich Fördertechnik-Sonderbauten  
Abteilung Aufzüge und Sicherheitsbauteile  
Westendstr. 197 / D-80686 München  
Der Sachverständige

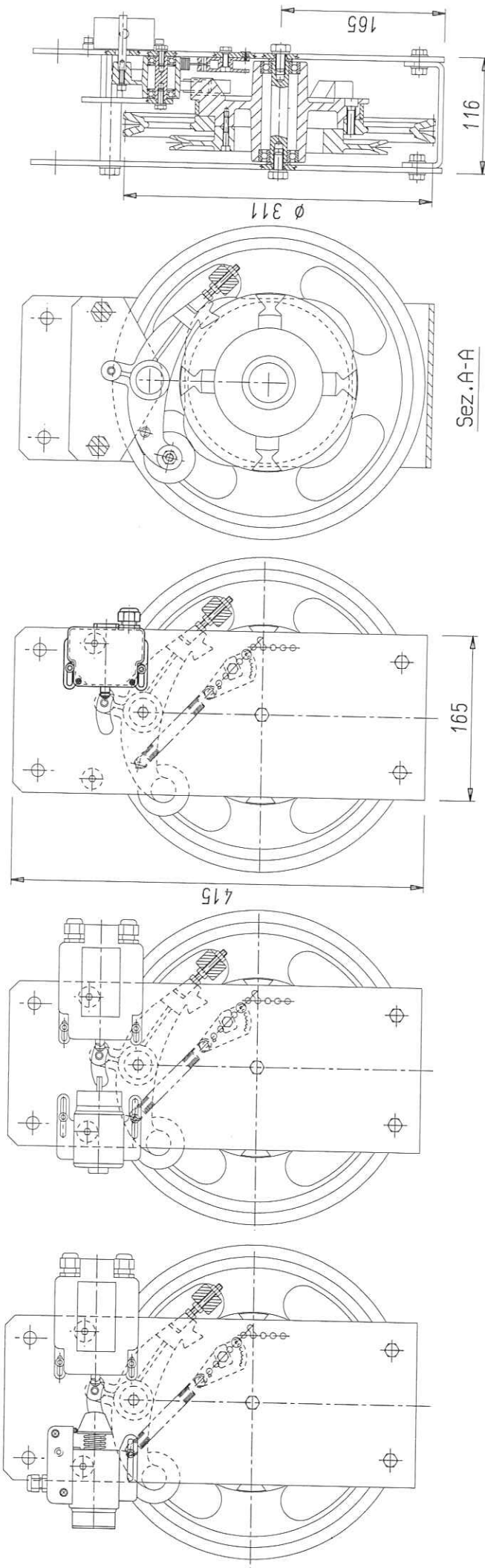


Smussi non quotati / 45°	scala 1:4	q. te'	LAVOR. GEN.	NOTE
Raggi non quotati	DENOMINAZIONE		MATERIALE	
TOLL. QUOTE LIBERE	COMPLESSIVO		QUALITA'	
S.L. max.	GRUPPO		STATO-N° -MOD.	
▽ ± 0.2	LIMITATORE L.K. 315		DIMEN.	
▽ ± 0.15	INTERNATIONAL APPLICATION N° PCT/EP97/00466		PESO kg.	
▽ ± 0.1	COMPONENTI MECCANICI		T.T.	
▽ ± 20'	PER ASCENSORI		DIS.	UER.
▽ ± 0.04			DIS.	DATA
▽ ± 0.04			COD. N° 8024200315	
▽ ± 0.04			DIS. N° L.K. 315	

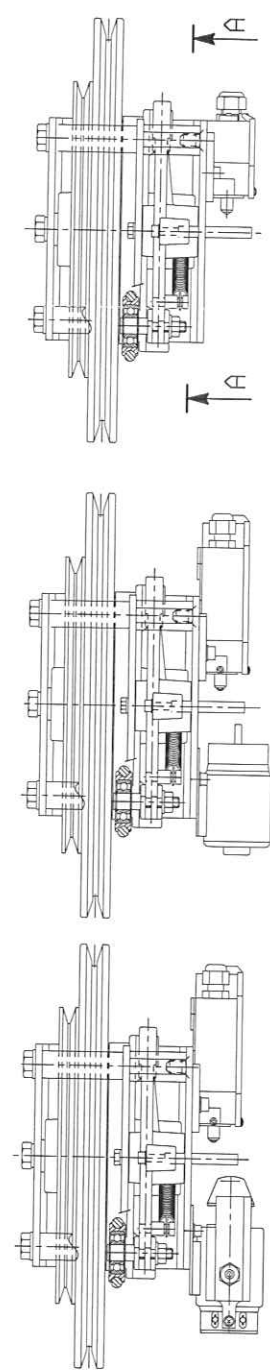
4	10 / '11	AGGIUNTA VARIANTE CON ELETTROMAGNETE
3	10 / '00	MODIFICATA PULEGGIA DI PROVA.
2	06 / '99	AGGIUNTO CONTRAPPESO PER SALTARELLO.
1	02 / '99	TOLTI N°2 SEGER NEL MOZZO DELLA PULEGGIA.
NR.	DATA	DESCRIZIONE
NR.	DATA	BESCHREIBUNG

**MODIFICHE - MODIFIKATIONEN**

IL PRESENTE DISEGNO E' DI PROPRIETA' DELLA PFB SRL. NE E' VIETATA LA DIVULGAZIONE A TERMINI DI LEGGE, SENZA AUTORIZZAZIONE  
N° P.T.I.F. - I.K. 315c



- 5. Dez. 2011  
 - GEPÜFT -  
 TÜV SÜD Industrie Service GmbH  
 Zentralbereich Fördertechnik-Sonderanlagen  
 Abteilung Aufzüge und Sicherheitskaralle  
 Westendstr. 194 D-80686 München  
 Der Sachverständige



1	10/11	AGGIUNTA VARIANTE CON ELETTROMAGNETE
NR.	DATA	DESCRIZIONE
NR.	DATA	BESCHREIBUNG
<b>MODIFICHE - MODIFIKATIONEN</b>		

Smussi non quotati /45°	scala 1:4	q. ta'	LAVOR. GEN.	NOTE
Reggi non quotati	DENOMINAZIONE		MATERIALE	
TOLL. QUOTE LIBERE	COMPLESSIVO		QUALITA'	
S. L. RUGOS. TOLL. OSK.	GRUPPO LIMITATORE L.K. 315/A		STATO-N° -MOD.	
▽ + 0.2	INTERNATIONAL APPLICATION N° PCT/EP97/00466		DIMEN.	
▽ + 0.15	P.F.B. S.R.L.		PESO kg.	
▽ + 0.1	COMPONENTI MECCANICI PER ASCENSORI		T. T.	VER. DATA
▽ + 20'			DIS.	12/04
⊙ 0.04			COD. N°	8024202315
⊙ 0.04			DIS. N°	LK_315/A
// 0.04				

IL PRESENTE DISEGNO E' DI PROPRIETA' DELLA PFB SRL, NE E' VIETATA LA DIVULGAZIONE A TERTINI DI LEGGE, SENZA AUTORIZZAZIONE