



Industrie Service

Certificate concerning the examination of traction sheave shaft calculation

Choose certainty. Add value.

Lift machine, type: HW175 / HW175C

Ordered by / Manufacturer: GEM General Elevator Machines S.r.l.
V. le Caproni 18
38068 Rovereto (TN) - Italien

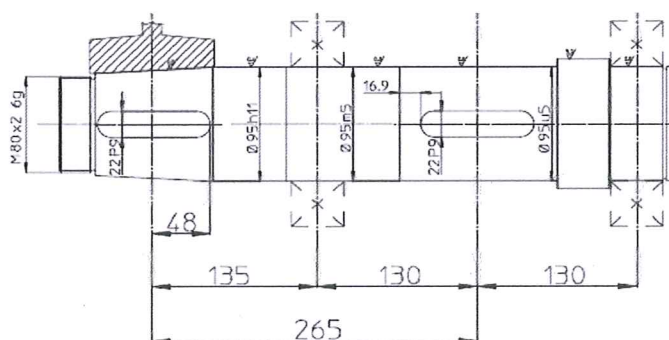
Number of examination 1565860

Object examined Calculation of maximum value of traction sheave shaft

Examination basis: DIN 743, DIN 6892
Roloff-Matek, machine elements (edition 1992)

Examination documents: Calculation-no. 01.0117562B, pg. 1-7 / 2010-09-01
Drawing-no. G.01.175.62B

Load data: See variety of equipment in the calculation



Date: 2010-10-29

Our reference: IS-FSH-MUC/mai

Document: 101029_BS_GEM_HW175_en.doc

This document consists of 1 Page. Page 1 of 1

Design drawing: G.01.175.62B / 23.04.2010
Material: 42CrMo4+QT (1.7225)

Load data

Traction sheave diameter	mm	480	560	600
Max. shaft load stat.	kN	51,0	51,0	51,0
Nominal moment	Nm	2464	2479	2482

Excerpts from this document may only be reproduced and used for advertising purposes with the express written approval of TÜV SÜD Industrie Service GmbH.

The test results refer exclusively to the units under test.

Examination result

The examination of the calculation was carried out on the basis of a comparison calculation. The result was that the traction sheave shaft and the connection shaft-hub are rated at the maximum load data in accordance with the requirements of the examination basis. The remarks in the maintenance instruction are to be attended.

Prüflaboratorium für Produkte der Fördertechnik
Prüfbereich Aufzüge und Sicherheitsbauteile

i. V. Gerold Jilg

The Expert

Martin Maier



Headquarters: Munich
Trade Register Munich HRB 96 869
VAT ID No. DE129484218
Information pursuant to Section 2(1)
DL-InfoV (Germany) at
www.tuev-sued.com/imprint

Supervisory Board:
Peter Kardel (Deputy Chairman)
Board of Management:
Ferdinand Neuwieser (CEO),
Dr. Ulrich Klotz, Thomas Kainz

Phone: +49 89 5791-2731
Fax: +49 89 5791-1796
www.tuev-sued.de/is



TÜV SÜD Industrie Service GmbH
Zentralbereich Fördertechnik-Sonderbauten
Hebezeuge und Krananlagen
Westendstrasse 199
80686 Munich
Germany