

2017.03

本书为一般信息出版物，我们保留随时更改产品技术和说明的权利。
本书中的任何字句，无论其字面意思或含义，对任何产品的用途和质量，或者任何购销合同条文的表述与更改均不承担责任。
(产品外观仅供参考，具体以实物为准)

This book is a publication of general information, and we reserve the right to alter the techniques and specifications of the products at any moment. Regardless of the literary meanings or implications, no liabilities shall be undertaken for any words and sentences about applications and qualities of any products in this brochure or for definitions and alterations of any articles and clauses in the purchase and sales agreements.
(Appearances of products presented in this book are for reference only and appearance of actual products may vary)

西子电梯集团营销总部

地址：杭州市石桥路288号
电话：0571-88153899
传真：0571-87688700

Xizi Elevator Group Marketing Headquarters

ADD: 288 Shiqiao Rd., Jianggan District, Hangzhou, Zhejiang, China 310021
TEL: 0086-571-87688132
Fax: 0086-571-87688700

主机系统

Traction Machine

XIZI

POWER

当平面以空间的形式呈现，

就凸显出立方的价值。

西子电梯，以西子联合集团优势资源为依托，

以四大产品系列为支撑，

每一个面的延伸，也意味着价值的增长。

西子电梯之“力”面——主机系统，

非凡动力驱动，实现价值立方转化。

P01 公司简介
Company Profile

P10 色卡
Color Code

P11 常规客梯主机系列
For General Elevators
GETM3.0H (630kg)
GETM3.0H (800~1000kg)
GETM3.0R
GETM3.5H
GETM6.0H

P25 超薄主机系列
Ultra-thin Traction Machine
GETM2.5K
GETM3.5K

P31 条形机系列
Bar-Shaped Machine
GETM3.5D
GETM5.0D
GETM6.3D

P39 钢带主机系列
For MRL Elevators
GETM2.0T
GETM3.5T
GETM5.0T

P47 家用梯/小载重主机系列
For Home Lifts & Small Lifts
GETM1.5
GETM2.0D

P53 高速梯主机系列
For High-Speed Elevators
GETM12C
GETM15C
GETM40C
GETM70C

P63 货梯主机系列
For Cargo Lifts
HYW6.0
HYW11
HYW15

P71 扶梯主机系列
For Escalator
FYD06



西子联合

西子联合是一家以装备制造为主，跨行业经营的综合型企业集团。公司总部位于浙江杭州，旗下产业涵盖电梯、电梯部件、立体停车场、起重机、钢结构、锅炉、航空、商业、房产、金融投资等多个领域，是中国500强企业之一，员工近万人。2016年集团业绩再创新高，营业收入达256亿元。

西子联合秉承“合作重于竞争”的经营理念，遵循研发、制造、服务并重的发展战略，先后创造了节能电梯、电梯部件、立体车库、余热锅炉业务全国第一的佳绩。

坚持核心技术研发与节能减排的创新实践，西子联合拥有多家独立的技术研发中心，成功开发了高效节能的永磁同步无齿轮电梯主机，掌握航空零部件关键制造技术与复合材料加工技术，并主导国内余热锅炉技术标准制订和应用推广，成功实现节能建筑技术在西子联合大厦的全面应用。

2007年，西子联合发布国内首份民营企业社会责任报告，明确提出可持续发展、诚信与治理、公益慈善、健康与安全、环境保护五大社会责任，并号召全体员工“为国家富强、为社会和谐、为企业健康”而贡献力量。

未来，西子联合将秉持诚信、合作、进取之心，汇聚各方资源及成长性力量，持续创新产业发展的关键技术和战略发展模式，努力开创百年西子，促进社会可持续发展！

Our Group – XIZI UHC

Headquartered in Hangzhou, Zhejiang Province, XIZI UHC is a large enterprise group that spans across multiple industries, with manufacturing as the core. The businesses include elevator and escalator components, boiler, aerospace, parking system, crane, steel structure, real estate, commerce, finance and investment. XIZI UHC is one of the Top 500 Chinese Company. And its annual turnover reached 25.6 billion CNY in 2016.

Valuing cooperation and following the strategy of stressing research and development, manufacturing, and service, XIZI UHC has achieved four No. 1s in respective Chinese markets for escalators, elevator components, parking systems and waste heat boilers.

XIZI UHC builds up several independent technology research and development centers to support the research and development of core technologies and the implementation of innovative practices in energy conservation and emission reduction. They have successfully developed high efficient permanent magnetic synchronized gearless elevator motor, grasped the key technologies of aerospace parts manufacturing and composite material processing, led the standard making and application of waste heat boiler technologies in China, and applied energy saving technologies in XIZI UHC Building.

In 2007, XIZI UHC released the first corporate social responsibility report among all private Chinese enterprises, which put forward five major responsibilities, i.e. sustainable development, credibility and management, health and safety, public welfare and charity, and environment protection, and called for all employees to make contribution for a strong nation, a harmonious society and a healthy company.

For the future, XIZI UHC will keep its credibility, creativity and enterprising spirit, gather all resources and strength, and focus on innovation of key technologies and strategy for industry development. It will strive to build itself into a long-lasting company, and to promote social development.

西子电梯部件集团

作为西子联合的核心主业，经过三十年的发展，在电梯部件领域取得了引人注目的成就，在主机、门机、电控系统和轿厢装潢的研发制造上，确立了行业领先的地位。旗下拥有杭州西子孚信科技有限公司、浙江西子富沃德电机有限公司、杭州优迈科技有限公司等多家大型企业，是中国最大的电扶梯部件供应商之一。



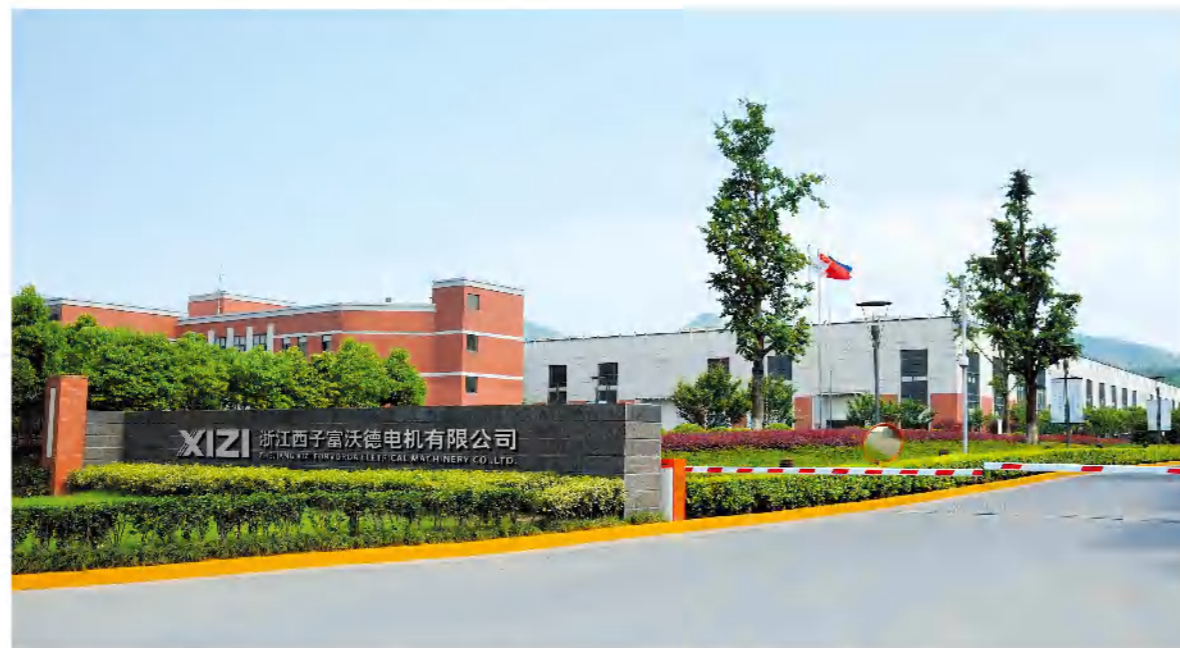
Your partner-XIZI ELEVATOR COMPONENTS GROUP

As the core business of the group, XIZI UHC elevator components group has made remarkable achievements in elevator components area after nearly 30 year's development, and established its leading role in R & D and manufacturing of PM gearless machine, door operator, control system and cabin decoration.

Its subsidiaries include several large enterprises such as Hangzhou Xizi Trust Tech Co., Ltd. Zhejiang Xizi Forvorda Electrical Machinery Co., Ltd. Hangzhou Optimax Tech Co., Ltd, etc. Xizi Elevator Group is reputed as one of the largest suppliers of elevator components in China.

- ① 杭州优迈科技有限公司 (Hangzhou Optimax Tech Co., Ltd.)
- ② 浙江西子富沃德电机有限公司 (Zhejiang Xizi Forvorda Electrical Machinery Co., Ltd.)
- ③ 杭州西子孚信科技有限公司 (Hangzhou Xizi Trust Tech Co., Ltd.)

西子富沃德
Xizi Forvorda



浙江西子富沃德电机有限公司

浙江西子富沃德电机有限公司注册成立于2004年5月份，并于2005年2月份移师临安经济开发区，是西子联合控股集团旗下重要的高科技研发制造基地。

公司成立之初即顺利通过了ISO9001:2000质量体系认证，各系列产品以其无可挑剔的品质顺利通过了欧盟制动器A3认证，韩国KC认证，美国、加拿大CSA认证。

公司现有各类加工设备300多台（套），其中包括机械手在内各类进口高端加工设备30多台（套）。主机生产流水线年产能可达12万台（一班制），是国内最大的永磁同步无齿轮曳引机制造基地。

公司发展至今，产品覆盖常规客梯主机、无机房主机、家用梯/小载重主机、高速梯主机、扶梯主机、货梯主机等几大系列。主机载重范围为320kg-2000kg，拥有0.3m/s-10m/s的大范围额定速度，产品广泛适用于高层住宅楼、别墅、办公楼、宾馆、机关、学校和其他公共建筑场所。公司同时拥有安全钳、限速器等安全部件的自主研发和生产能力。

Zhejiang Xizi Forvorda Electrical Machinery Co., Ltd.

Zhejiang Xizi Forvorda Electrical Machinery Co., Ltd. was incorporated in May 2004 and re-located to Lin'an Economy Development Area in Feb. 2005, which is a core member of XIZI UHC as the high-tech R&D Center and manufacturing base.

Xizi Forvorda has acquired the ISO9001:2000 Quality System Certificate as early as it was just established; its products has obtained various certification such as EN 81-1::1998+A3::2009, KC and CSA.

Xizi Forvorda is equipped with more than 300 sets of various equipment, more than 30 sets among which are imported high-end machining equipment such as manipulators. Its streamlined production line can churn out more than 120,000 sets (one shift) of traction machine annually, which makes Forvorda the largest manufacturer in China for PM gearless traction machine.

Through all its way until today, Xizi Forvorda has developed traction machines for General Passenger Elevator, MRL Elevator, Home Lift/Small Lift, High-Speed Elevator, and Freight Elevator. The rated load of its traction machine ranges from 320kgs-2000kgs, and rated speed from 0.3m/s-10m/s. Its products are widely used in high-rise residential buildings, villa, office buildings, hotels, schools and other public buildings. We also possess the ability to develop and produce safety parts like safety gear and speed governor etc.



公司拥有磁钢、制动器、定子铁芯、铸造生产线和三条主机装配线，通过对各产品线的划分、工序调整以及工装改进，提高了作业员及设备工装的工作效率，减少了单件产品的工时消耗，降低了成本。实现了生产线工艺的平衡，使我司成为国内最大的永磁同步无齿轮曳引机供应商。

Xizi Forvorda has set up magnet production line, brake production line, stator core, casting production line and three assembly lines for traction machine. By setting up separate production line, re-arranging working process and improving tools, working efficiency is improved considerably, time-consumption for unit products has been reduced and so has the cost. The realization of balanced production line makes Xizi Forvorda the largest PM gearless traction machine supplier in China.



Professional components supplier

博长取优，领先未来

科技创新是推动企业发展的核心力量。作为西子电梯集团的主机工厂，浙江西子富沃德电机有限公司非常重视技术的提升，先后与上海交通大学、清华大学、中国计量学院等重点科研机构合作，形成优势互补，设立了博士后工作站和院士工作站。目前已获得93项专利（17项发明专利、55项实用新型、17项外观设计、4项软件著作权），并先后获得ISO9001质量体系认证、ISO10012-1计量体系认证，同时，还被国家发改委、财政部指定为高效电机推广企业，推广量占全国高效永磁电机的22.6%，成就了公司在行业内的国际领先地位。

Draw Strength from Others, Lead the Trends in Future

Scientific and technological innovation is the core power that drives forward the development of an enterprise. Zhejiang Xizi Forvorda Electrical Machinery Co., Ltd places high emphasis on the technological improvement and has cooperated with Shanghai Jiaotong University, Tsinghua University, China Jiliang University, and many other key scientific and technological research institutes in order to make respective advantages complementary to each other. And it also has set up Post-Doctoral Station and Academician Station. Up till now, we have won 93 patents (17 inventions, 55 utility models, 17 industrial design, 4 software copyright). And we have achieved ISO9001 Quality System certification and ISO10012-1 Measurement System Certification. Besides we have been appointed by National Development and Reform Commission and the Ministry of Finance as the company to promote the High-Efficient Motor, the High-Efficient PM Motor sold by XIZI Forvorda accounts for 22.6% shares of the total sales in China. All these have established our company as a leading role in the industry in the world.

无齿轮主机研发，开创电梯新时代

1999年—2001年，公司和上海交通大学经过长期合作和密切的交流，技术逐渐成熟，共同研发出具有自主知识产权的无齿轮曳引机，直至目前，该项技术研发仍引领着电梯行业的未来发展趋势。使用该技术的主机无需励磁，启动电流极小，传动效率极高，结构更合理。与传统曳引机相比，效率更高，噪音更低，节能环保，节能效果高达30%以上，显著地降低了成本。尤其是去掉了传动机构后，主机结构轻盈小巧更紧凑，可直接安装在井道内，最大程度节省建筑面积与费用。

The Launch of Gearless Traction Machine, Brings a New Era of Elevators

From 1999 to 2001 through long-term cooperation and frequent exchanges, the company and Shanghai Jiaotong University gradually achieved mature technology and worked together to develop a gearless traction machine having proprietary intellectual property rights. Up till now, the research and development of this technology is still representing the trend of future development of the elevator industry. Machines using this technology do not need excitation and have small starting currents but extremely high transmission efficiency and more reasonable structures. Compared with traditional traction machines, they have higher efficiency, lower noise, and better environmental and energy-saving performance. They significantly reduce the cost by saving up to more than 30% of energy. Particularly, after the transmission mechanism is removed, the structure of the machine is lighter, smaller, and more compact. It can be directly installed in the shaft to minimize the building area and cost.



自主知识产权 Self-Developed Intellectual Property

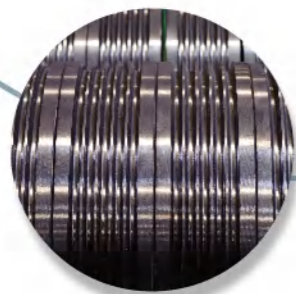
部件自制 In-house Made Key Components



磁钢 (Magnet)

自主生产高牌号磁钢，耐高温，一致性好，退磁率低。

In-house made high-performance magnet, heat-resisting, good quality consistency, low demagnetization rate.



曳引轮 (Sheave)

采用特殊铸造工艺，确保曳引轮硬度差在15HBW内；减少钢丝绳对曳引轮的不均匀磨损。

Made by special forging techniques, the variation in hardness is controlled within 15HBW. Uneven abrasion caused by wire rope reduced to the minimum level.



机座/转子 (House/Rotor)

采用先进的铸造工艺，确保品质稳定。

Stable quality is ensured by special casting techniques.



制动器 (Brake)

采用独特的调整工艺，确保制动力矩的稳定性，保证制动可靠。

Unique adjusting method ensures stable braking torque and reliable performance.

富沃德品牌优势 Brand Building of Xizi Forvorda

2001

第一台国内自主知识产权的无齿轮曳引机诞生于富沃德

The first gearless traction machine with proprietary rights in China was born in Forvorda.



2001

第一台中国生产并在电梯上运用的无齿轮曳引机诞生（杭州新新饭店项目）

The first homemade gearless traction machine installed in elevator (Hangzhou Xinxin Hotel)



2005

组建国内第一条曳引机专用磁钢生产线

Set up the first magnet production line dedicated for traction machines in China

2010

组建国内第一条主机自动化生产线

Set up the first automated production line in China



2008

成功研发国内第一台7m/s永磁同步无齿轮曳引机，并于2010年成功应用在上海高端楼盘项目

Successfully developed the first 7m/s PM synchronous traction machine in China, and was installed in a high-end real estate project in Shanghai in 2010

2011

永磁同步电机入围国家“节能产品惠民工程”高效电机推广目录，永磁电机推广量电梯行业第一

Its PM synchronous motor is listed in the High Efficient Motor Directory under the China Energy Label project. Its total sales volume of PM motor ranked No.1 in elevator industry in China.



2012

获得临安市政府质量奖

Awarded with Lin'an Municipal Quality Awards

2013

成功研发了DZD1-500静音制动器产品

Successfully developed DZD1-500 super quiet brake

永磁同步无齿轮曳引机累计生产超38万台

The total output of PM synchronous traction machine exceeded 380,000 sets

2014

成功研发10m/s超高速主机

Successfully developed super high speed machine



2015

荣膺2015年浙江省政府质量奖

Awarded with Zhejiang Province government Quality Award



通过中国CQC节能认证
(证书编号: CQC15701122857)

CQC Approved (code: CQC15701122857)

2016

成功通过CNAS实验室（中国合格评定国家认可委员会）审核并获得证书

Successfully passed the CNAS Laboratory (China National Accreditation Service for Conformity Assessment) and obtain the certification

2017

市场保有量超过65万台

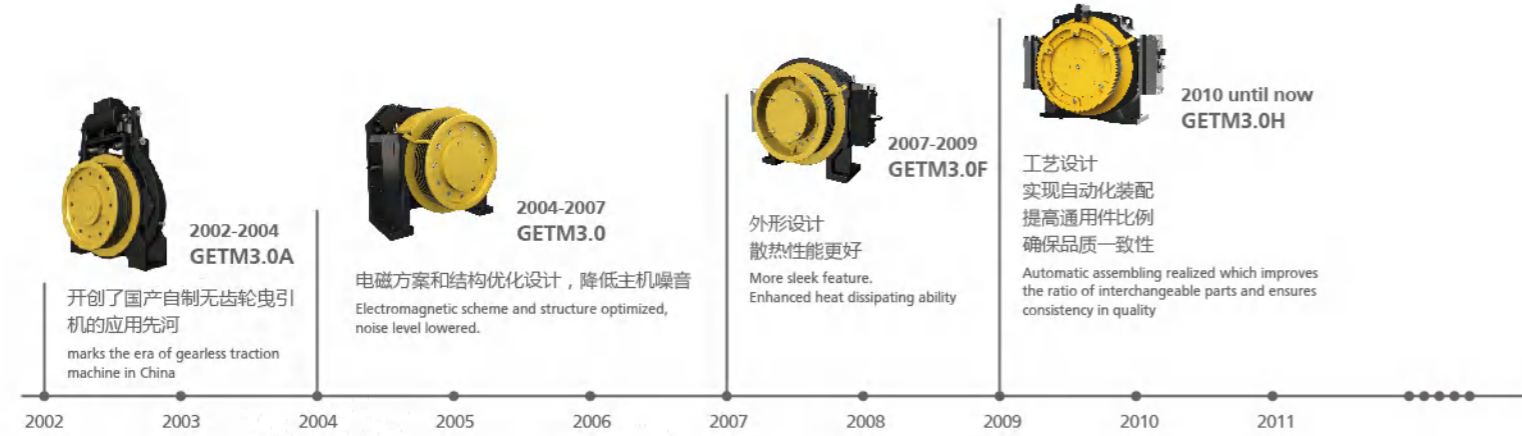
Total turnover exceeds 650,000 sets

於潜新工厂于2017年2月试生产

YUQIAN new factory starts trial production In February 2017

无齿轮曳引机市场保有量中国第一
Enjoy the largest market share of PM gearless in China

曳引机发展史 Development History of Traction Machine



产品系列 Products Series



主机左右置定义:

人面对曳引轮, 轮子逆时针旋转, 轿厢上行, 则为右置; 人面对曳引轮, 轮子顺时针旋转, 轿厢上行, 则为左置。

Definition of Machine Position:

Right: Facing the traction sheave, the car ascends when the sheave rotates in counterclockwise direction.

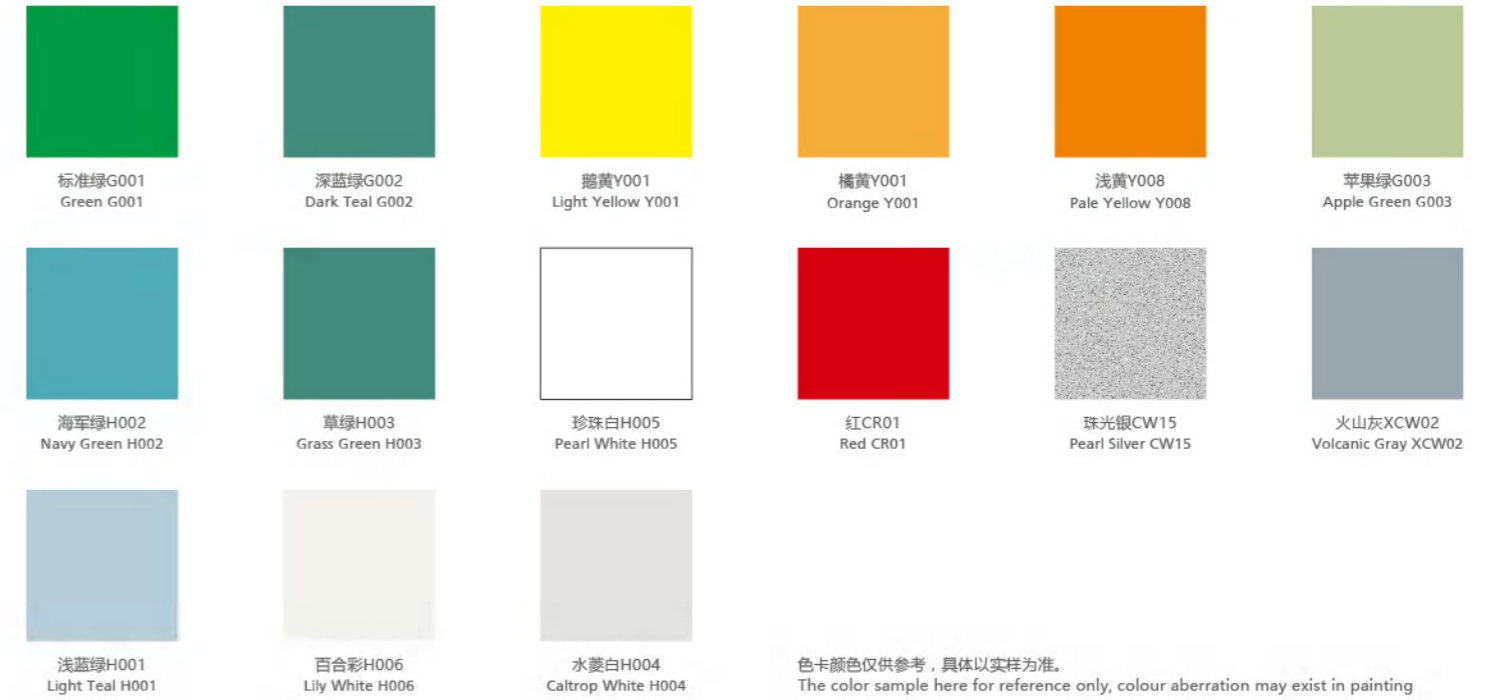
Left: Facing the traction sheave, the car ascends when the sheave rotates in clockwise direction.

色卡 Color Code

标准颜色 Standard Color



常用喷涂色卡 Oft-Used Color



备注

机房内的环境空气温度应保持在5°C-40°C; 环境相对湿度最湿月月平均应不大于90%, 同时该月月平均最低温度应不高于25°C; 超出范围请咨询

客户需根据实际情况计算曳引能力和安全系数是否满足标准要求, 曳引轮β、γ角度可非标

在应用前已确认变频器与编码器的匹配性

曳引轮β、γ角度可非标

曳引机的推荐提升高度为电梯在额定速度45秒的运行距离。例如1m/s的曳引机, 推荐提升高度为45m

样本资料仅供参考。本产品改进的同时, 资料可能有所变化, 恕不另行通知



常规客梯主机系列 For General Elevators

该系列主机经过先进的工业和工艺设计，实现了模块化和标准化，可灵活实现制动器与曳引轮间多达三种以上的自由配置组合，通用部件比例得到提高，使用范围广泛，可满足客户不同需求。专业化的技术和标准化的流程完全保证了大批量产品自动化生产和个性化定制的完美结合。

For this series of traction machine, standardization and modularization is realized through advanced industrial and technical design. Interchangeability of parts is greatly improved; there are more than 3 possible combinations by replacing brakes and traction sheave, thus diversified customer needs can be met. Our professionalism and standardized process guarantees the tailor-made production in large scales.



自制稀土材料NdFeB高性能磁钢，用专利配合和先进的制造工艺，确保磁钢性能的一致性和稳定性
In-house made high-performance NdFeB magnet is adopted.

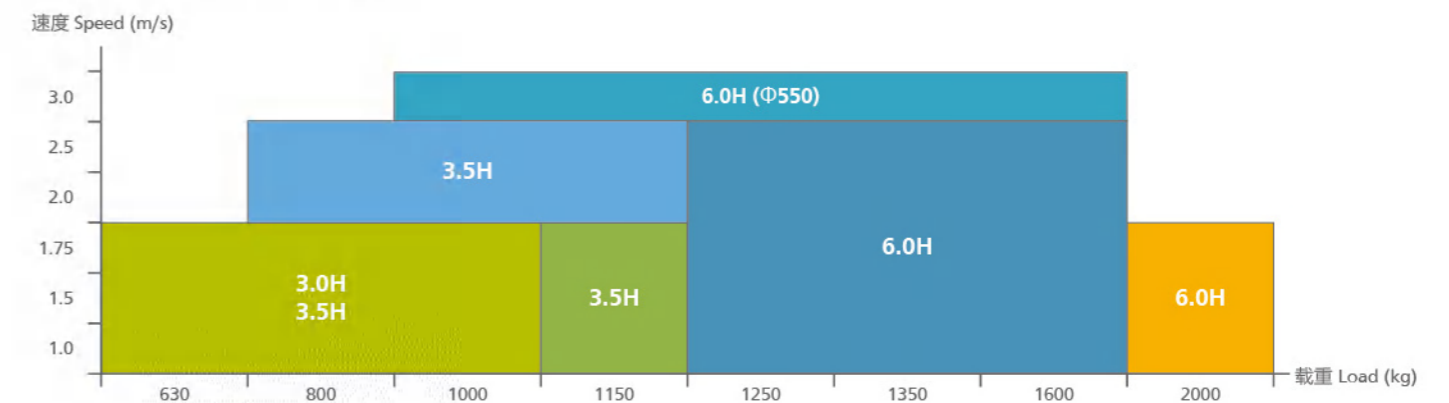


磁钢采用双层固定方式且配有进口电机过热保护装置，保证电机安全可靠的运行
The magnets are double fixed and imported thermal switches are furnished, all of which ensure the reliability of the machine performance.

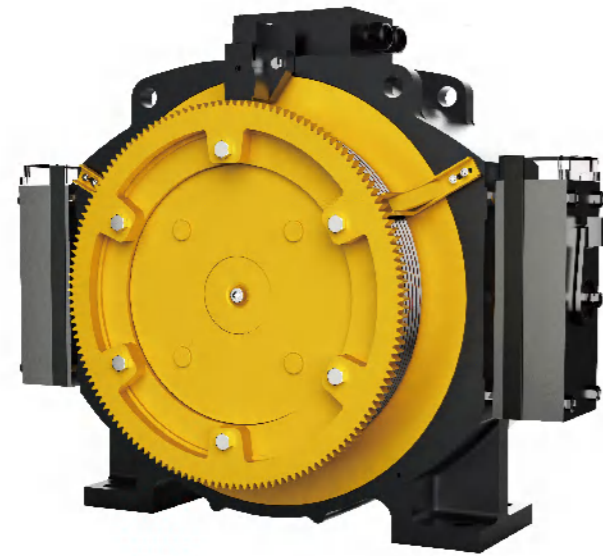


独特转动轴外转子结构，确保主机运行平稳，噪音低
Unique rotating shaft and external rotor construction brings smooth operation of the machine and low noise level.

产品系列 Products Series



GETM3.0H (630kg)



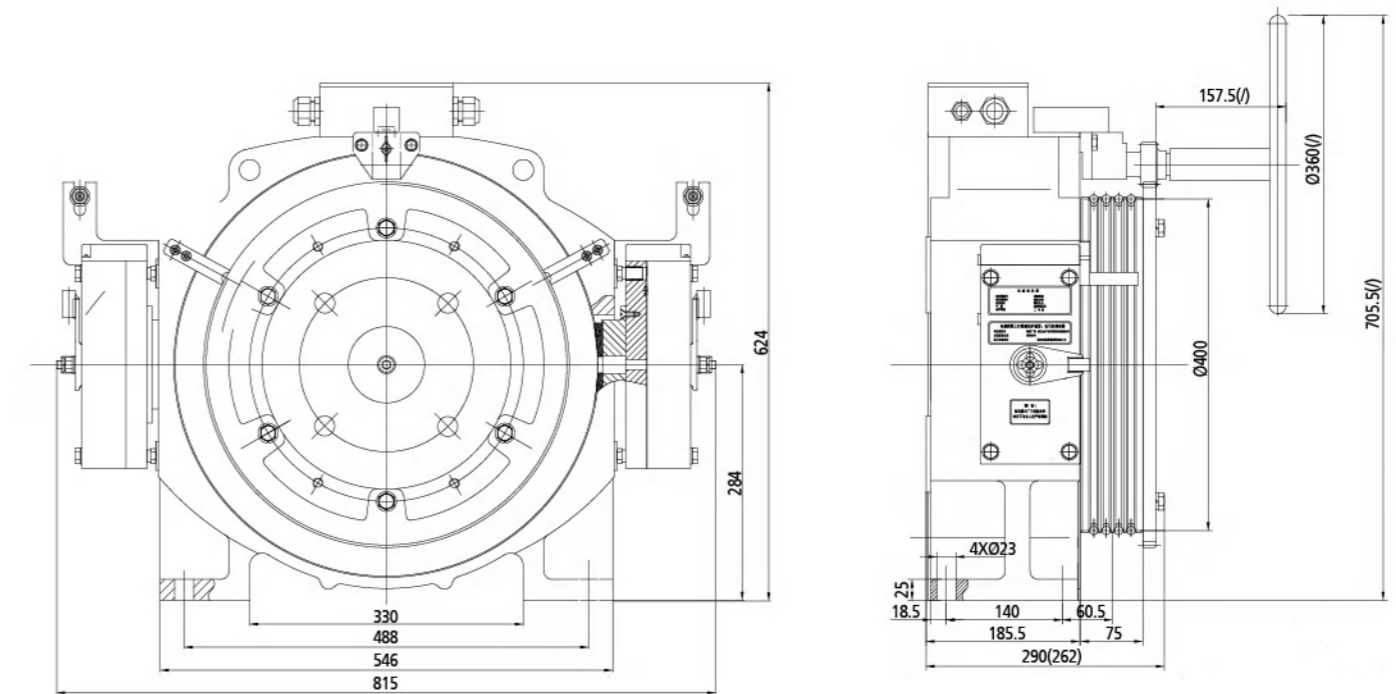
许用径向载荷 Max. axle load	2000kg
曳引机概算重量 Motor weight	308kg
工作制 Working duty	S5-60%ED
绝缘等级 Ins. class	155(F)
制动器型号及数量 Brake type	2只DZD1-500

规格表 Specification table

型号 Product type	曳引比 Traction Ratio	额定 载重 Load (kg)	电梯 额定速度 Elevator Speed (m/s)	额定转速 Rated speed (r/min)	额定转矩 Rated torque (N.m)	电机 Motor					制动器 Brake			曳引轮 Sheave				
						功率 Power (kW)	电压 Voltage (V)	电流 Current (A)	极对数 Poles (p)	频率 Frequency (Hz)	电流 Current (A)	电压 Voltage (V)	制动力矩 Brake torque (N.m)	节径 Diameter (mm)	绳槽 Rope rxd	β角 β angle	γ角 γ angle	槽距 Groove pitch (mm)
GETM3.0H-100/0630	2.1	630	1.0	95.5	412	4.1	340	10.0	16	25.4	2x1.2	DC110	2x515	400	4xø10	96°	35°	15
GETM3.0H-150/0630			1.5	143	412	6.2		14.0		38.2					4xø10			15
GETM3.0H-175/0630			1.75	167	412	7.2		16.5		44.5					4xø10			15

注：1. 以上信息仅供参考，具体参数请以ODF表为准； 2. 绳槽数量、β角、γ角可根据客户系统进行非标。
 Note: 1. Above parameters for information only, final parameters shall be as per ODF. 2. Quantity of rope groove number, β angle and γ angle can be tailor-made according to customer's requests.

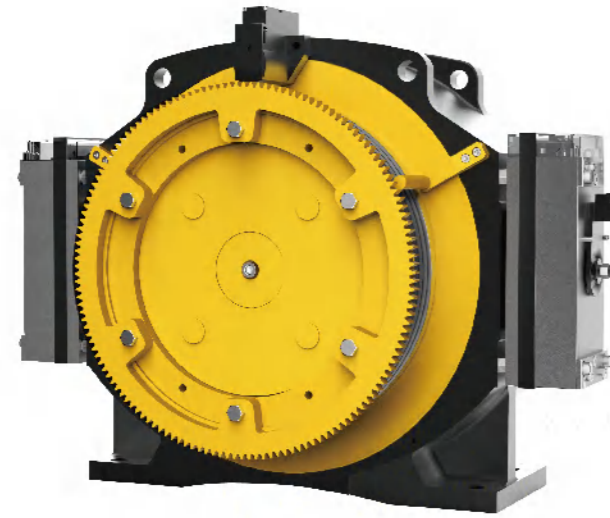
外形尺寸图 Overall Dimensions



- 注：1. 本机分为有盘车和无盘车两种状态；
 2. 括号里数值表示无盘车时尺寸；
 3. 可配备远程松闸装置，松闸线长4~10米。

- Remarks:
 1. Both hand wind and hand wind-less types are available.
 2. The data in the bracket is for the size of hand wind-less type.
 3. Remote release device is available, the length of releasing wire ranges 4~10m.

GETM3.0H (800~1000kg)



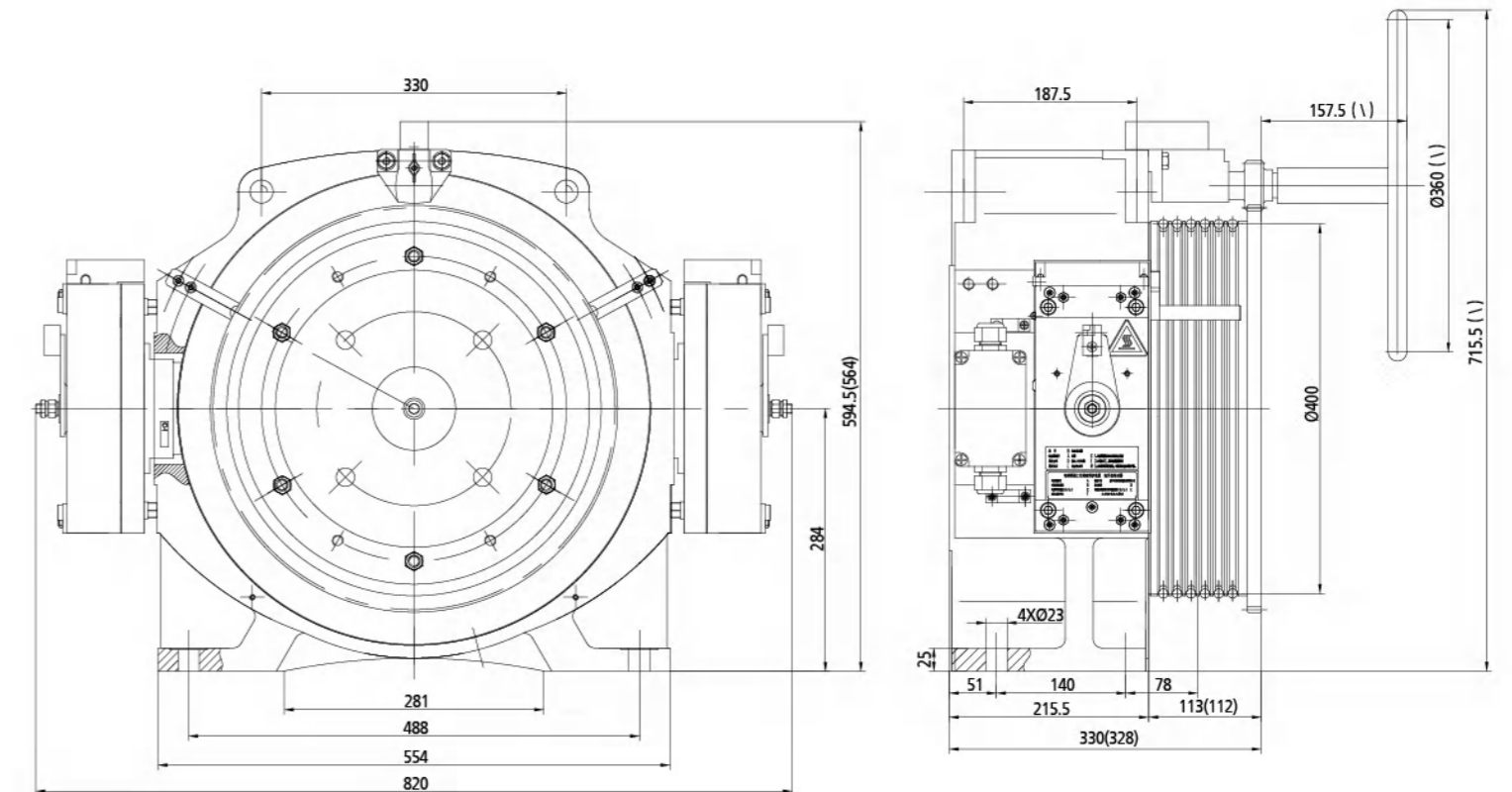
许用径向载荷 Max. axle load	3000kg
曳引机概算重量 Motor weight	373kg
工作制 Working duty	S5-60%ED
绝缘等级 Ins. class	155(F)
制动器型号及数量 Brake type	2只DZD1-500

规格表 Specification table

型号 Product type	曳引比 Traction Ratio	额定 载重 Load (kg)	电梯 额定速度 Elevator Speed (m/s)	额定转速 Rated speed (r/min)	额定转矩 Rated torque (N.m)	电机 Motor				制动器 Brake		曳引轮 Sheave						
						功率 Power (kW)	电压 Voltage (V)	电流 Current (A)	极对数 Poles (p)	频率 Frequency (Hz)	电流 Current (A)	电压 Voltage (V)	制动力矩 Brake torque (N.m)	节径 Diameter (mm)	绳槽 Rope rod	β角 β angle	γ角 γ angle	槽距 Groove pitch (mm)
GETM3.0H-100/0800	2:1	800	1.0	95.5	502	5	340	11.5	16	25.4	2x1.34	DC110	2x668	400	5xø10	96°	35°	15
GETM3.0H-150/0800			1.5	143	521	7.8		17		38.2					5xø10			
GETM3.0H-175/0800			1.75	167	514	9		21		44.5					5xø10			
GETM3.0H-100/1000	2:1	1000	1.0	95.5	604	6	340	14	16	25.4	2x1.15	DC110	2x837	400	5xø10	96°	35°	15
GETM3.0H-150/1000			1.5	143	669	10		22.3		38.2					6xø10			
GETM3.0H-175/1000			1.75	167	669	11.7		26		44.5					6xø10			

注：1. 以上信息仅供参考，具体参数请以ODF表为准； 2. 绳槽数量、β角、γ角可根据客户系统进行非标。
 Note: 1. Above parameters for information only, final parameters shall be as per ODF. 2. Quantity of rope groove number, β angle and γ angle can be tailor-made according to customer's requests.

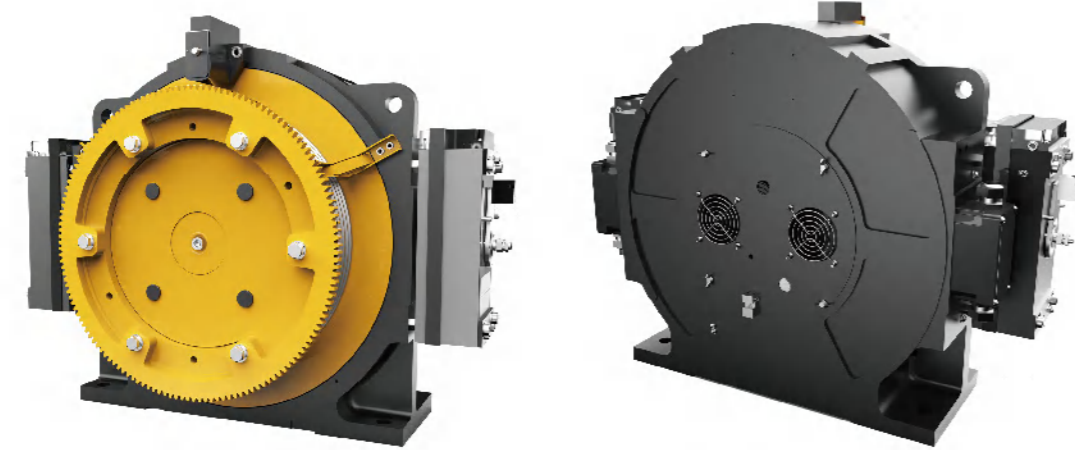
外形尺寸图 Overall Dimensions



注：1、本机型分为有盘车和无盘车两种状态；
 2、括号里数值表示无盘车时尺寸；
 3、可配备远程松闸装置，松闸线长4~10米。

Remarks:
 1. Both hand wind and hand wind-less types are available.
 2. The data in the bracket is for the size of hand wind-less type.
 3. Remote release device is available, the length of releasing wire ranges 4~10m.

GETM3.0R



正面 Front

背面 Back

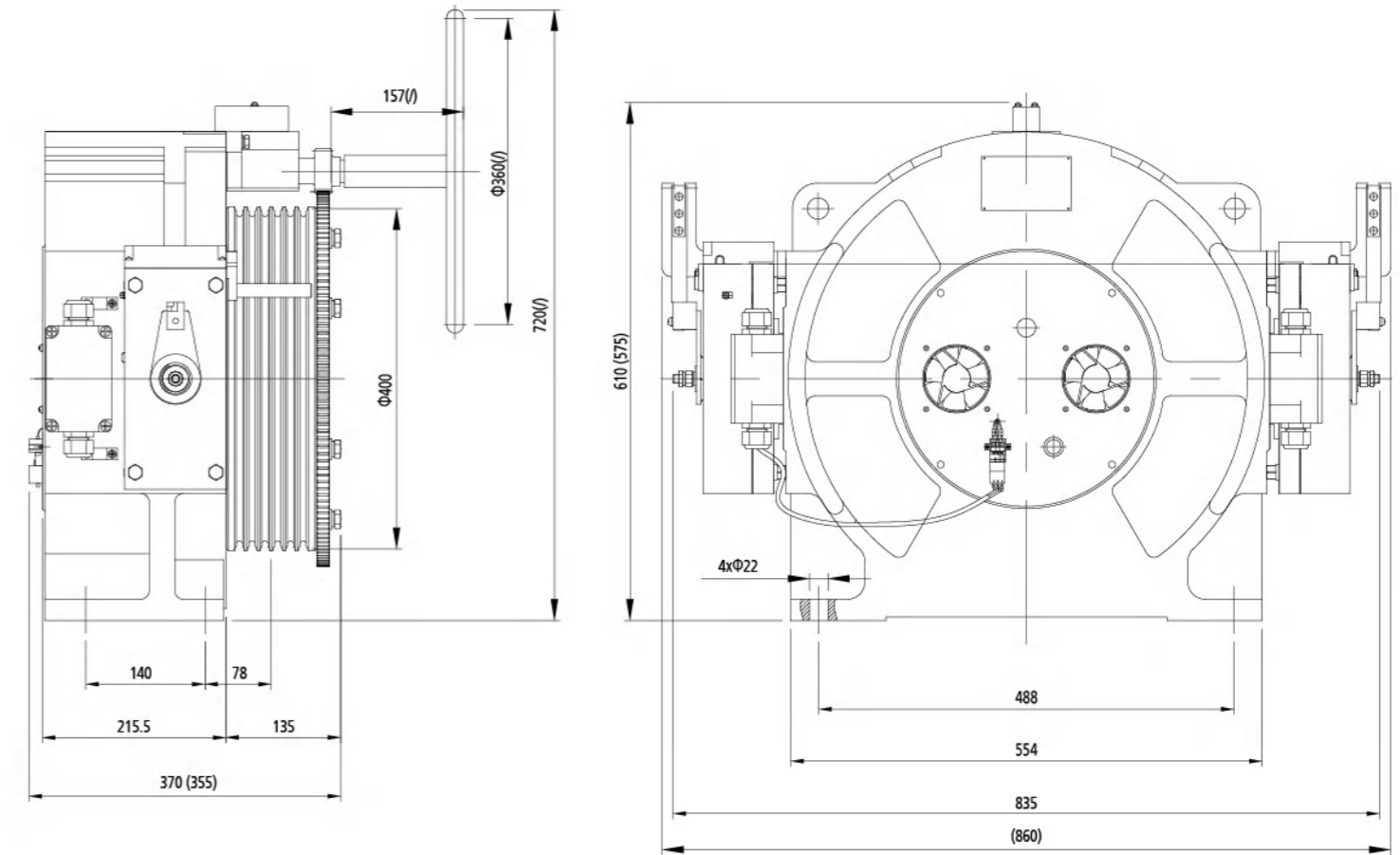
曳引机最大轴负荷 Max. axle load	3000kg
曳引机概算重量 Motor weight	400kg
工作制 Working duty	S5-60%ED
绝缘等级 Ins. class	155(F)
制动器型号及数量 Brake type	2只DZD1-500

规格表 Specification table

型号 Product type	曳引比 Traction Ratio	额定载重 Load (kg)	电梯额定速度 Elevator Speed (m/s)	额定转速 Rated speed (r/min)	额定转矩 Rated torque (N.m)	电机 Motor				制动器 Brake			曳引轮 Sheave					
						功率 Power (kW)	电压 Voltage (V)	电流 Current (A)	极对数 Poles (p)	频率 Frequency (Hz)	电流 Current (A)	电压 Voltage (V)	制动力矩 Brake torque (N.m)	节径 Diameter (mm)	绳槽 Rope rxd	β角 β angle	γ角 γ angle	槽距 Groove pitch (mm)
GETM3.0R-100/0800	2:1	800	1.0	95.5	504	5	340	11.5	16	25.4	2x1	DC110	2x837	400	5xø10	96°	35°	15
GETM3.0R-175/0800			1.75	167	514	9		21							44.5			
GETM3.0R-100/1000	2:1	1000	1.0	96	604	6	340	14	16	25.4	2x1	DC110	2x837	400	5xø10	96°	35°	15
GETM3.0R-175/1000			1.75	167	669	11.7		28							44.5			

注：1. 以上信息仅供参考，具体参数请以ODF表为准； 2. 绳槽数量、β角、γ角可根据客户系统进行非标。
 Note: 1. Above parameters for information only, final parameters shall be as per ODF. 2. Quantity of rope groove number, β angle and γ angle can be tailor-made according to customer's requests.

外形尺寸图 Overall Dimensions



- 注：1. 本机型分为有盘车和无盘车两种状态
 2. 括号里数值表示无盘车时尺寸
 3. 可配备远程松闸装置，松闸线长4~10米

- Remarks:
 1. Both hand wind and hand wind-less types are available.
 2. The data in the bracket is for the size of hand wind-less type.
 3. Remote release device is available, the length of releasing wire ranges 4~10m.

GETM3.5H (800~1000kg)

许用径向载荷 Max. axle load	3500kg
曳引机概算重量 Motor weight	385kg
工作制 Working duty	S5-60%ED
绝缘等级 Ins. class	155(F)
制动器型号及数量 Brake type	2只DZD1-500

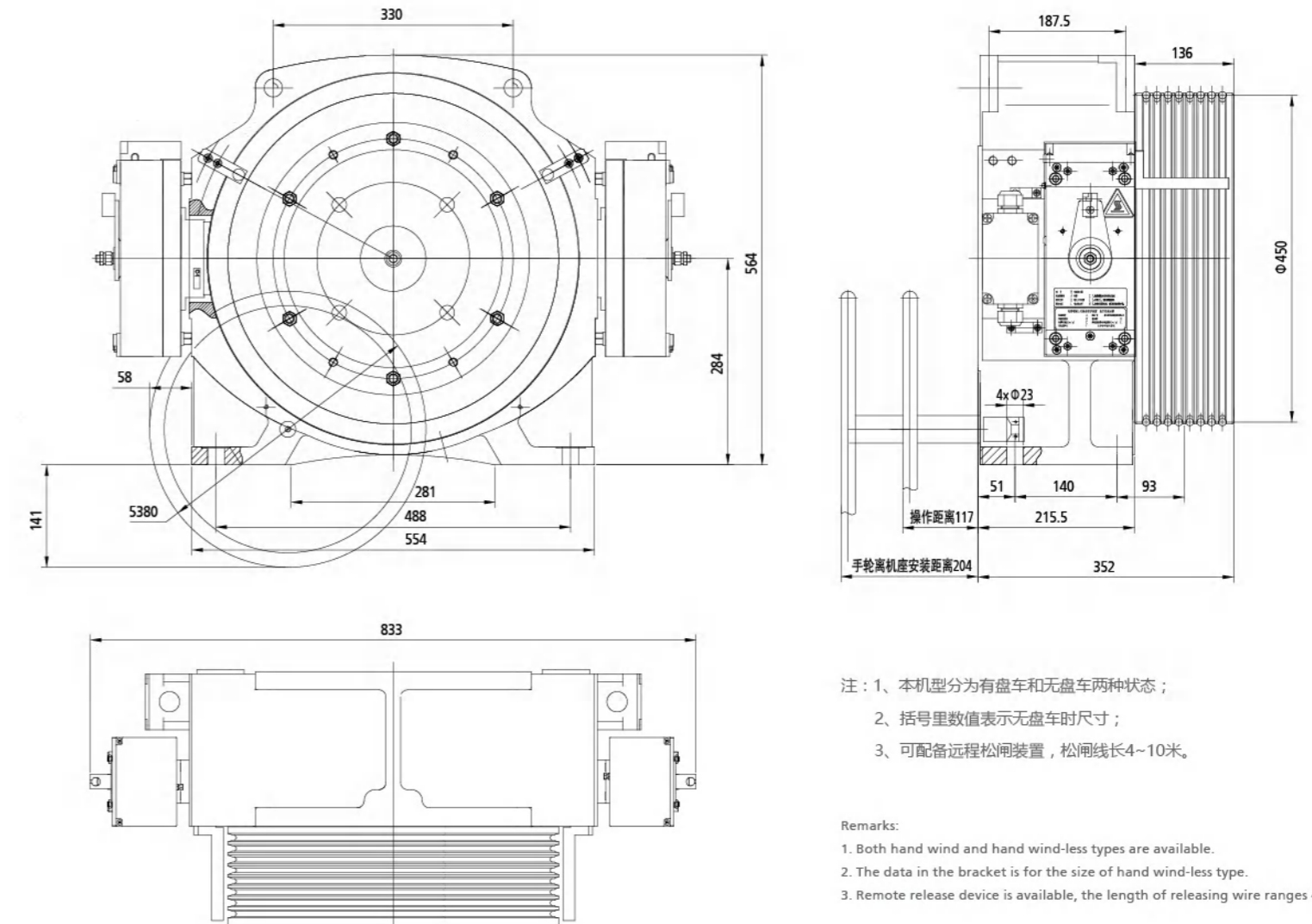


规格表 Specification table

型号 Product type	曳引比 Traction Ratio	额定载重 Load (kg)	电梯额定速度 Elevator Speed (m/s)	额定转速 Rated speed (r/min)	额定转矩 Rated torque (N.m)	电机 Motor					制动器 Brake			曳引轮 Sheave				
						功率 Power (kW)	电压 Voltage (V)	电流 Current (A)	极对数 Poles (p)	频率 Frequency (Hz)	电流 Current (A)	电压 Voltage (V)	制动力矩 Brake torque (N.m)	节径 Diameter (mm)	绳槽 Rope rxd	β角 β angle	γ角 γ angle	槽距 Groove pitch (mm)
GETM3.5H-200/0800	2:1	800	2.0	170	551	9.8	340	20.6	16	45.3	2x1.1	DC110V	2x880	ø450	6xø10	90°	25°	15
GETM3.5H-250/0800			2.5	212		12.3		25.7		56.5								
GETM3.5H-200/1000	2:1	1000	2.0	170	689	12.3	340	26.5	16	45.3	2x1.1	DC110V	2x880	ø450	7xø10	90°	25°	15
GETM3.5H-250/1000			2.5	212		15.3		34.8		56.5								

注：1. 以上信息仅供参考，具体参数请以ODF表为准； 2. 绳槽数量、β角、γ角可根据客户系统进行非标。
Note: 1. Above parameters for information only, final parameters shall be as per ODF. 2. Quantity of rope groove number, β angle and γ angle can be tailor-made according to customer's requests.

外形尺寸图 Overall Dimensions



- 注：1、本机型分为有盘车和无盘车两种状态；
2、括号里数值表示无盘车时尺寸；
3、可配备远程松闸装置，松闸线长4~10米。

Remarks:
1. Both hand wind and hand wind-less types are available.
2. The data in the bracket is for the size of hand wind-less type.
3. Remote release device is available, the length of releasing wire ranges 4~10m.

GETM3.5H

许用径向载荷 Max. axle load	3500kg
曳引机概算重量 Motor weight	φ450时471kg ; φ490时485kg 471kg(sheave dia.φ450); 485kg(sheave dia.φ490)
工作制 Working duty	S5-60%ED
绝缘等级 Ins. class	155(F)
制动器型号及数量 Brake type	2只DZD1-500

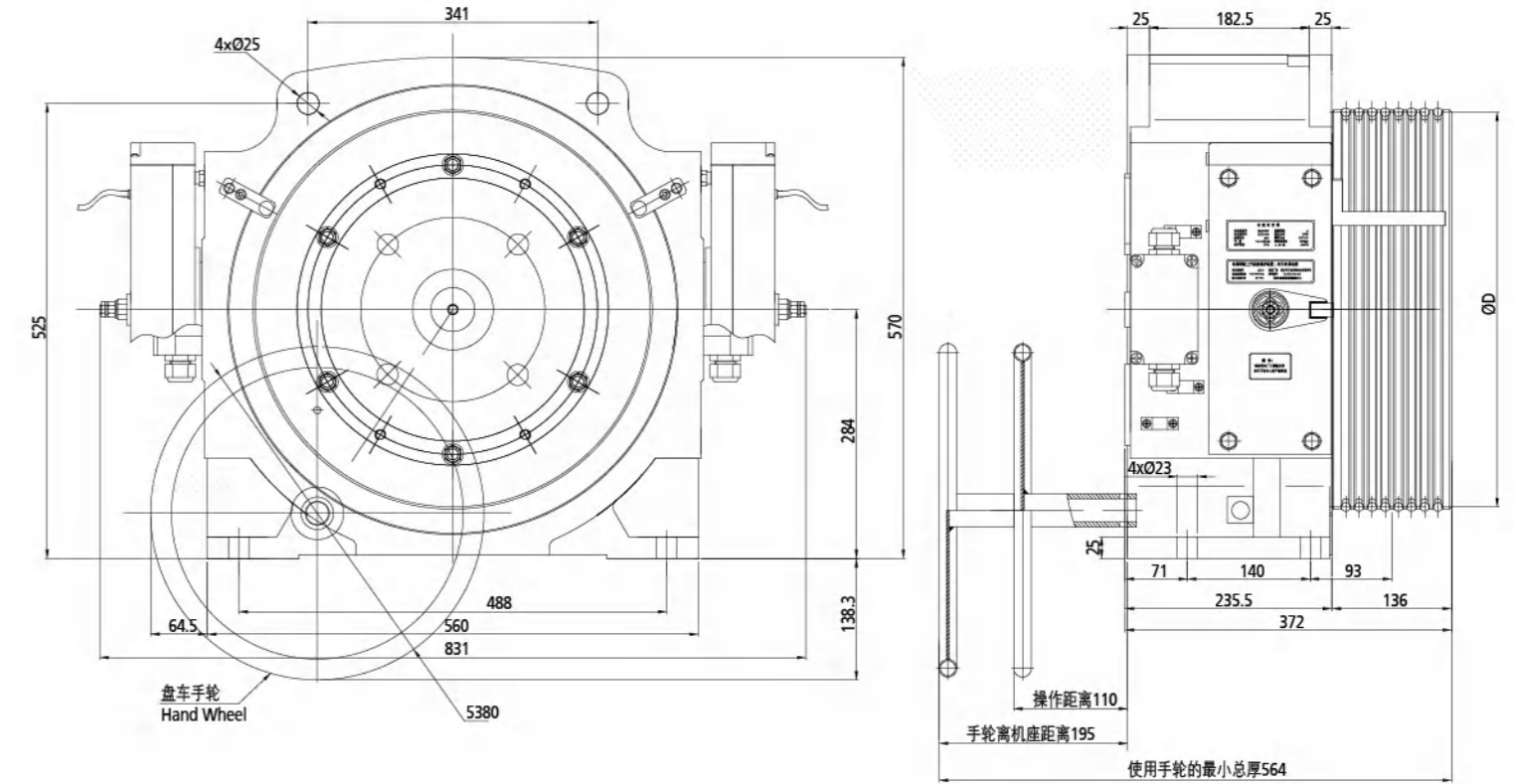


规格表 Specification table

型号 Product type	曳引比 Traction Ratio	额定 载重 Load (kg)	电梯 额定速度 Elevator Speed (m/s)	额定转速 Rated speed (r/min)	额定转矩 Rated torque (N.m)	电机 Motor					制动器 Brake			曳引轮 Sheave						
						功率 Power (kW)	电压 Voltage (V)	电流 Current (A)	极对数 Poles (p)	频率 Frequency (Hz)	电流 Current (A)	电压 Voltage (V)	制动力矩 Brake torque (N.m)	节径 Diameter (mm)	绳槽 Rope nxd	β角 β angle	γ角 γ angle	槽距 Groove pitch (mm)		
GETM3.5H-100/1150	2:1	1150	1.0	85	793	7.0	340	17.3	16	22.7	2x1.1	DC110	2x1000	450	8xφ10	90°	25°	15		
GETM3.5H-150/1150			1.5	127	793	10.6		22.7							33.9				8xφ10	
GETM3.5H-175/1150			1.75	149	793	12.3		28							30.1				45.3	8xφ10
GETM3.5H-200/1150			2.0	170	793	14.1		30.1							45.3				8xφ10	
GETM3.5H-250/1150			2.5	212	793	17.6		40							56.5				8xφ10	
GETM3.5H-175/0800	2:1	800	1.75	136	604	8.6	340	20.4	16	36.3	2x1	DC110	2x940	490	5xφ10	90°	25°	16		
GETM3.5H-200/0800			2.0	156	604	9.8		23.6		41.6					5xφ10					
GETM3.5H-250/0800			2.5	195	604	12.3		29.1		52.0					5xφ10					
GETM3.5H-175/1000	2:1	1000	1.75	136	750	10.7	340	26.3	16	36.3	2x1	DC110	2x940	490	5xφ10	90°	25°	16		
GETM3.5H-175/1000			1.75	136	750	10.7		26.3		36.3					6xφ10					
GETM3.5H-200/1000			2.0	156	750	12.3		29.5		41.6					5xφ10					
GETM3.5H-200/1000			2.0	156	750	12.3		29.5		41.6					6xφ10					
GETM3.5H-250/1000			2.5	195	750	15.3		35.1		52.0					5xφ10					
GETM3.5H-250/1000			2.5	195	750	15.3		35.1		52.0					6xφ10					

注：1. 以上信息仅供参考，具体参数请以ODF表为准； 2. 绳槽数量、β角、γ角可根据客户系统进行非标。
Note: 1. Above parameters for information only, final parameters shall be as per ODF. 2. Quantity of rope groove number, β angle and γ angle can be tailor-made according to customer's requests.

外形尺寸图 Overall Dimensions



- 注：1. 本机型分为有盘车和无盘车两种状态；
2. 括号里数值表示无盘车时尺寸；
3. 可配备远程松闸装置，松闸线长4~10米；
4. 曳引轮节径分为φ450和φ490两种。

- Remarks:
1. Both hand wind and hand wind-less types are available.
2. The data in the bracket is for the size of hand wind-less type.
3. Remote release device is available, the length of releasing wire ranges 4~10m.
4. The pitch of the traction sheave has two options as 450mm/490 mm.

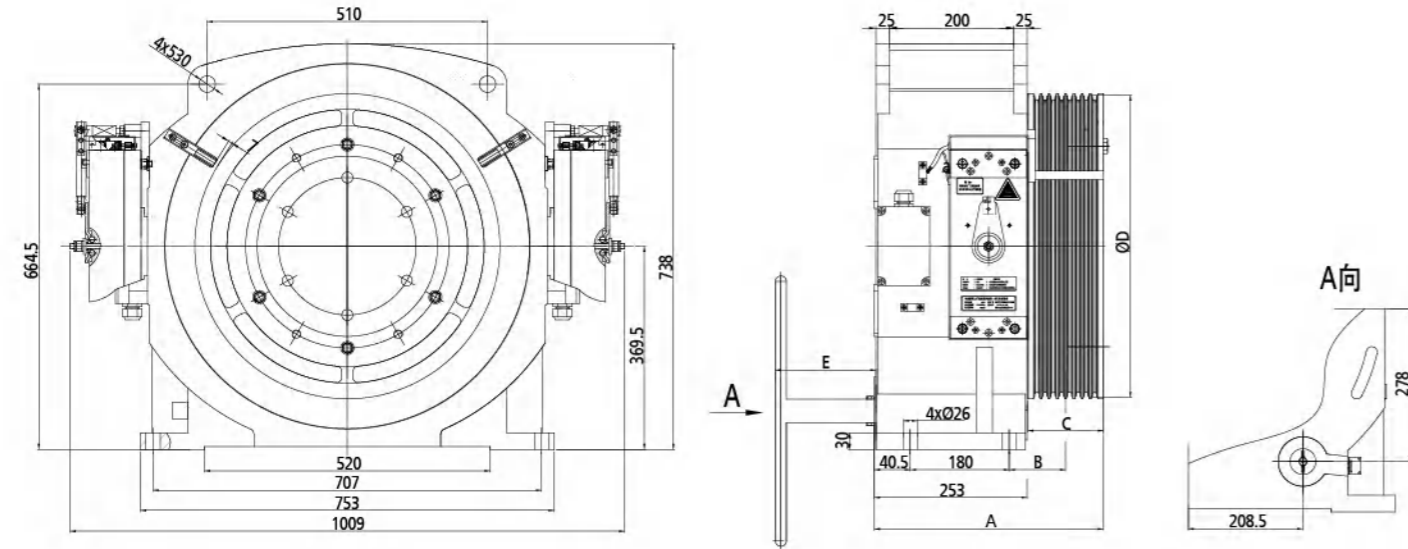
D
450
490

GETM6.0H

许用径向载荷 Max. axle load	6000kg
曳引机概算重量 Motor weight	ø450时682kg ; ø550时752~802kg 682kg(sheave dia.ø450); 752~802kg(sheave dia.ø550)
工作制 Working duty	S5-60%ED
绝缘等级 Ins. class	155(F)
制动器型号及数量 Brake type	2只DZD1-653



外形尺寸图 Overall Dimensions



	≤1600kg (有盘车 hand-wind)	≤1600kg (无盘车 hand-windless)	2000kg (有盘车 hand-wind)
A	392	392	408
B	102.5	102.5	110.5
C	138	138	154
E	183	/	183

D
450
550

- 注：1、本机分为有盘车和无盘车两种状态；
2、1600kg可配备远程松闸装置，松闸线长4~10米；
3、2000kg不配远程松闸装置。

Remark:

- Both hand-wind and hand-windless is available for this type of machine.
- Remote releasing device is available for 1600kg machine, and the length of brake wire ranges from 4m to 10m.
- Remote releasing device is not available for 2000kg machine

规格表 Specification table

型号 Product type	曳引比 Traction Ratio	额定 载重 Load (kg)	电梯 额定速度 Elevator Speed (m/s)	额定转速 Rated speed (r/min)	额定转矩 Rated torque (N.m)	电机 Motor				制动器 Brake			曳引轮 Sheave						
						功率 Power (kW)	电压 Voltage (V)	电流 Current (A)	极对数 Poles (p)	频率 Frequency (Hz)	电流 Current (A)	电压 Voltage (V)	制动力矩 Brake torque (N.m)	直径 Diameter (mm)	绳槽 Rope rxd	β角 β angle	γ角 γ angle	槽距 Groove pitch (mm)	
GETM6.0H-100/1250	2:1	1250	1	85	919	8.2	340	18	16	22.7	2x1.15	DC 110	2x1470	450	8xø10	96°	35°	15	
GETM6.0H-150/1250			1.5	127		12.3		27.3											33.9
GETM6.0H-160/1250			1.6	136		13.1		31.5											36.3
GETM6.0H-175/1250			1.75	149		14.3		31.5											39.7
GETM6.0H-200/1250			2	170		16.3		35											45.3
GETM6.0H-250/1250			2.5	212		20.4		44											56.5
GETM6.0H-100/1350	2:1	1350	1	85	992	8.8	340	19.5	16	22.7	2x1.15	DC 110	2x1470	450	8xø10	96°	35°	15	
GETM6.0H-150/1350			1.5	127		13.2		29.5											33.9
GETM6.0H-160/1350			1.6	136		14.1		34											36.3
GETM6.0H-175/1350			1.75	149		15.4		34											39.7
GETM6.0H-200/1350			2	170		17.6		38											45.3
GETM6.0H-250/1350			2.5	212		22.1		47.5											56.5
GETM6.0H-100/1600	2:1	1600	1	85	1176	10.5	340	23	16	22.7	2x1.15	DC 110	2x1470	450	8xø10	96°	35°	15	
GETM6.0H-150/1600			1.5	127		15.7		34.5											33.9
GETM6.0H-160/1600			1.6	136		16.7		39											36.3
GETM6.0H-175/1600			1.75	149		18.3		39											39.7
GETM6.0H-200/1600			2	170		20.9		44											45.3
GETM6.0H-250/1600			2.5	212		26.1		55											56.5
GETM6.0H-175/2000	2:1	2000	1.75	149	1470	22.9	340	48.5	16	39.7	2x1.15	DC 110	2x1838	450	9xø10	90°	25°	15	
GETM6.0H-100/2000			1	85		13.1		29.5											22.7
GETM6.0H-063/2000			0.63	53.5		8.2		20.5											14.3
GETM6.0H-050/2000			0.5	42.5		6.5		16											11.3
GETM6.0H-300/1000	2:1	1000	3	208	898	19.6	340	41.5	16	55.5	2x1.15	DC 110	2x1470	550	5xø10	96°	35°	16	
GETM6.0H-100/1150	2:1	1150	1	69	1033	7.5	340	18.1	16	18.4	2x1.15	DC 110	2x1470	550	6xø10	96°	35°	16	
GETM6.0H-175/1150			1.75	122		13.2		28.9											32.5
GETM6.0H-300/1150			3	208		22.5		48											55.5
GETM6.0H-100/1250	2:1	1250	1	69	1123	8.2	340	18.6	16	18.4	2x1.15	DC 110	2x1550	550	7xø10	96°	35°	16	
GETM6.0H-175/1250			1.75	122		14.3		30.5											32.5
GETM6.0H-250/1250			2.5	174		20.4		42.5											46.4
GETM6.0H-100/1350	2:1	1350	1	69	1213	8.8	340	20.4	16	18.4	2x1.15	DC 110	2x1550	550	7xø10	96°	35°	16	
GETM6.0H-175/1350			1.75	122		15.4		33											32.5
GETM6.0H-250/1350			2.5	174		22.1		46.2											46.4
GETM6.0H-100/1600	2:1	1600	1	69	1437	10.5	340	23.1	16	18.4	2x1.15	DC 110	2x1838	550	8xø10	96°	35°	16	
GETM6.0H-150/1600			1.5	104		15.7		34.4											27.7
GETM6.0H-175/1600			1.75	122		18.3		39.6											32.5
GETM6.0H-250/1600			2.5	174		26.1		55.9											46.4
GETM6.0H-300/1600			3	208		32.1		69.5		55.5									

注：1、以上信息仅供参考，具体参数请以ODF表为准； 2、绳槽数量、β角、γ角可根据客户系统进行非标。
Note: 1. Above parameters for information only, final parameters shall be as per ODF. 2. Quantity of rope groove number, β angle and γ angle can be tailor-made according to customer's requests.



超薄主机系列 Ultra-thin Traction Machine



编码器选用常规，可后置（现有变频器可通用）和侧置，适用性广
Wide range of adoptable encoders, both rear-mounted and side-mounted modes available for encoder mounting (compatible with current inverters).



转轴运动更符合轴承使用条件，延长寿命
Improved shaft rotating mode better fitting the working condition of the bearings, bring longer life span.



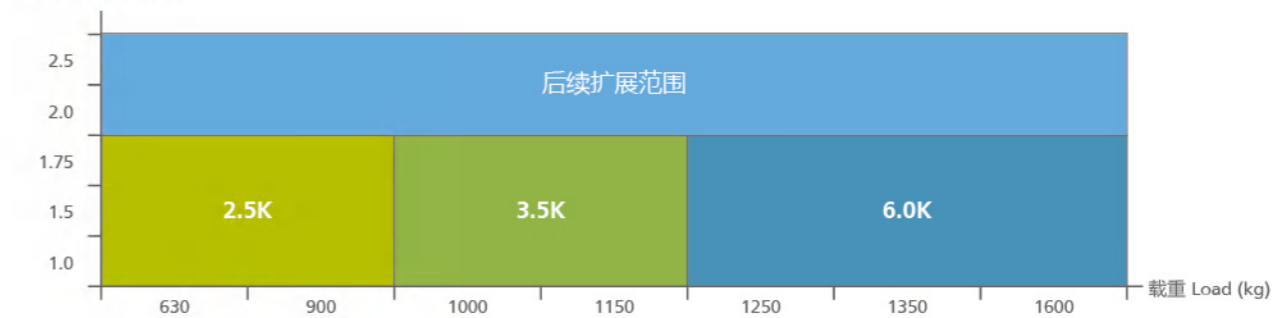
选用静音、快调制动器，工地调节维护简便
Super-quiet & easily-adjustable brakes used, make the work-site maintenance and adjustment an easy job.



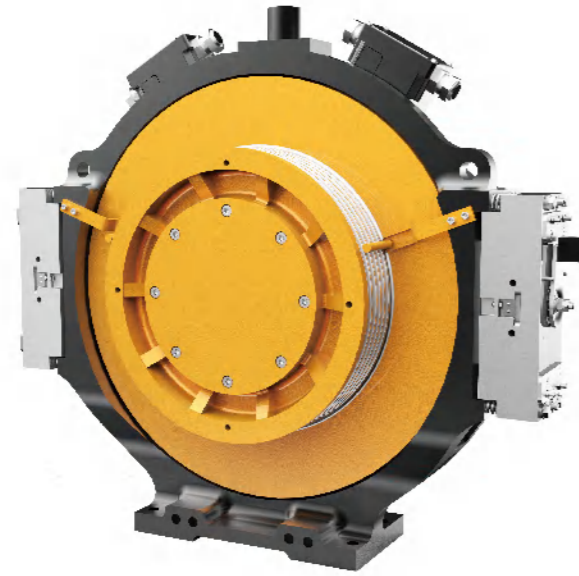
可用于导轨安装
Applicable for rail mounting.

产品系列 Products Series

速度 Speed (m/s)



GETM2.5K



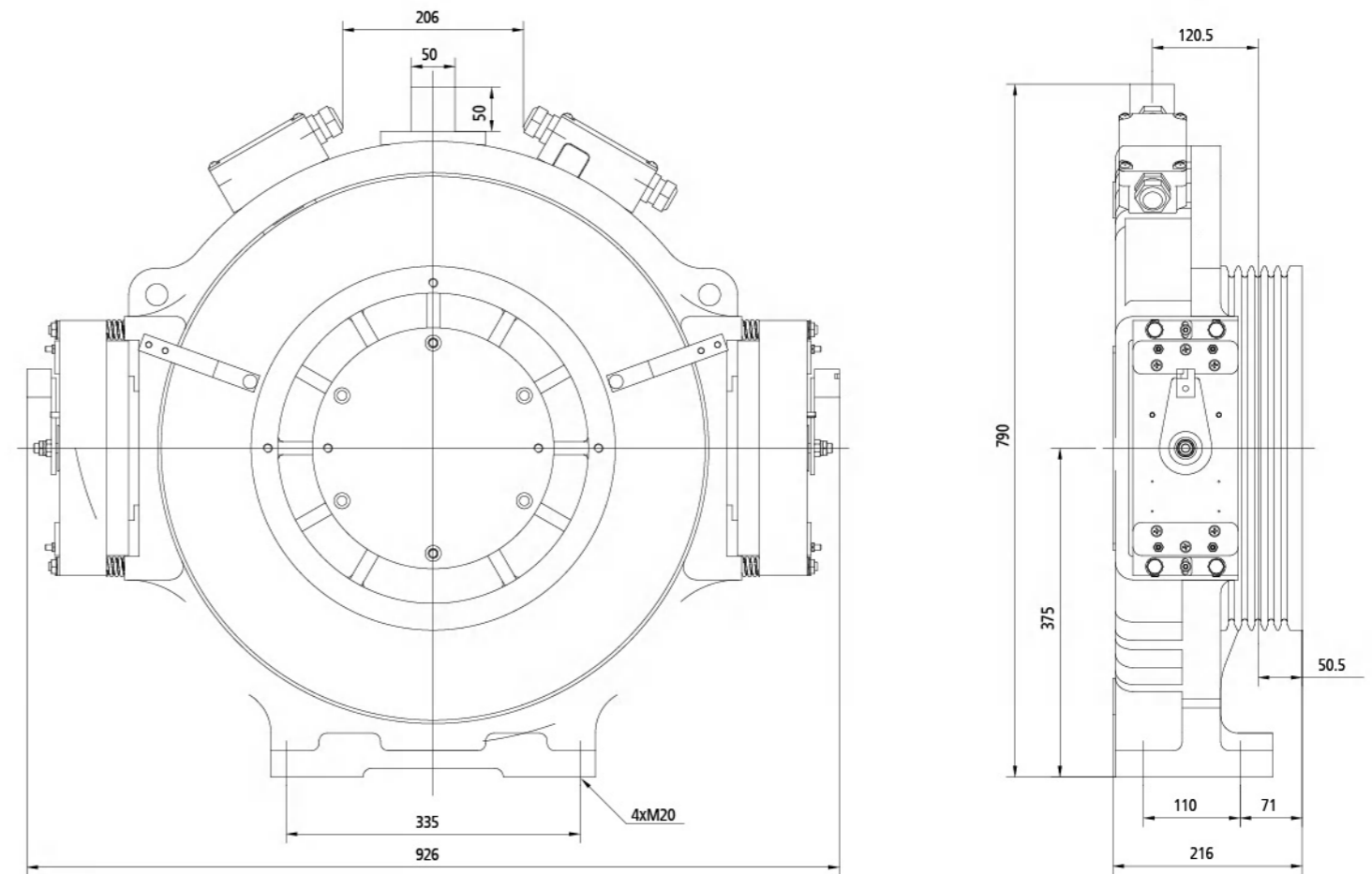
许用径向载荷 Max. axle load	2500kg
曳引机概算重量 Motor weight	450kg
工作制 Working duty	S5-60%ED
绝缘等级 Ins. class	155(F)
制动器型号及数量 Brake type	2只DZD2

规格表 Specification table

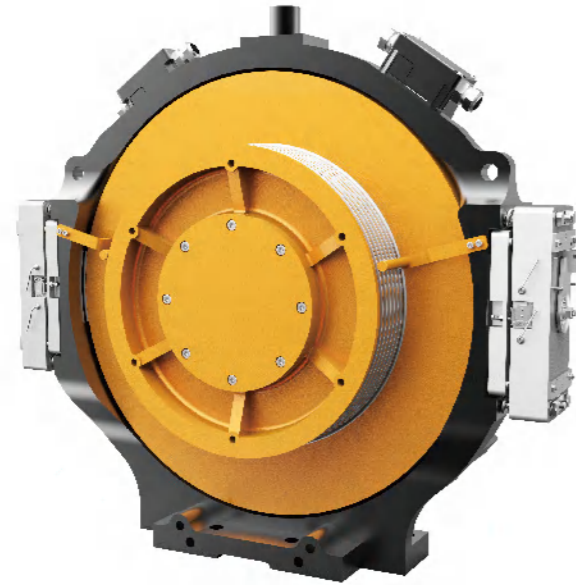
型号 Product type	曳引比 Traction Ratio	额定 载荷 Load (kg)	电梯 额定速度 Elevator Speed (m/s)	额定转速 Rated speed (r/min)	额定转矩 Rated torque (N.m)	电机 Motor					制动器 Brake		曳引轮 Sheave					
						功率 Power (kW)	电压 Voltage (V)	电流 Current (A)	极对数 Poles (p)	频率 Frequency (Hz)	电流 Current (A)	电压 Voltage (V)	制动力矩 Brake torque (N.m)	节径 Diameter (mm)	绳槽 Rope rad	β角 β angle	γ角 γ angle	槽距 Groove pitch (mm)
GETM2.5K-100/0630	2:1	630	1	93	413	4.0	340	8.2	10	15.5	2x1.19	DC110	2x655	410	5xø10	96°	35°	15
GETM2.5K-175/0630			1.75	163		7.1		17.2		27.2								
GETM2.5K-100/0800	2:1	800	1	93	524	5.1	340	11	10	15.5	2x1.19	DC110	2x655	410	5xø10	96°	35°	15
GETM2.5K-175/0800			1.75	163		9.0		19.8		27.2								
GETM2.5K-100/0900	2:1	900	1	93	590	5.7	340	12.1	10	15.5	2x1.19	DC110	2x655	410	5xø10	96°	35°	15
GETM2.5K-175/0900			1.75	163		10.1		21.6		27.2								

注：1. 以上信息仅供参考，具体参数请以ODF表为准； 2. 绳槽数量、β角、γ角可根据客户系统进行非标。
 Note: 1. Above parameters for information only, final parameters shall be as per ODF. 2. Quantity of rope groove number, β angle and γ angle can be tailor-made according to customer's requests.

外形尺寸图 Overall Dimensions



GETM3.5K



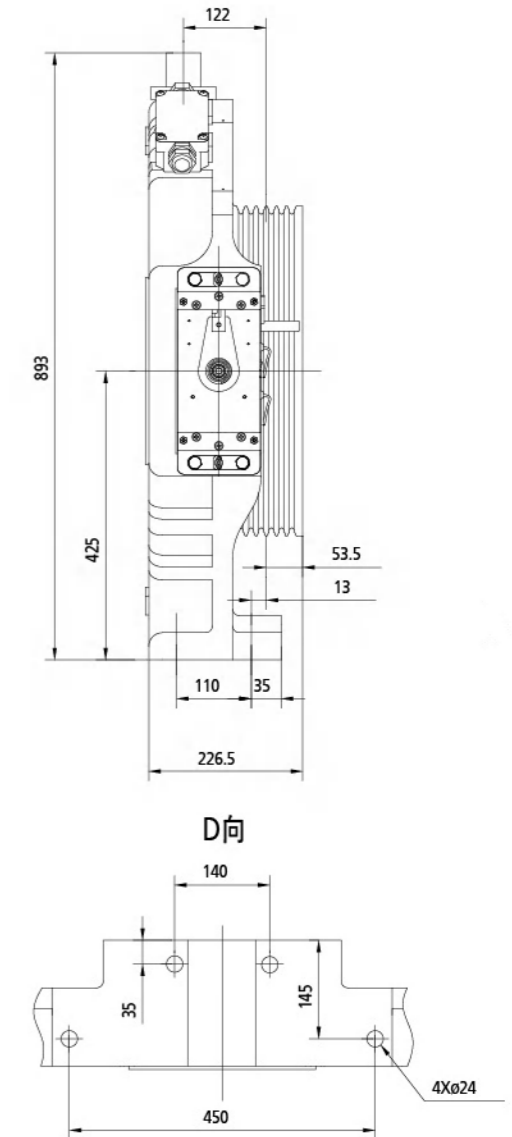
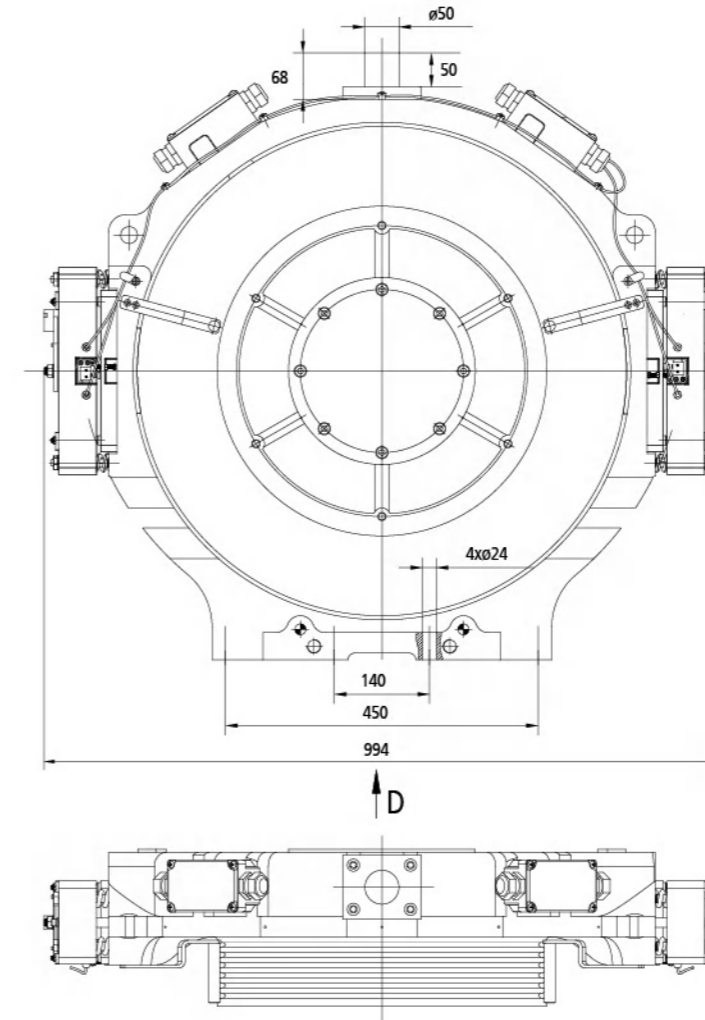
许用径向载荷 Max. axle load	3500kg
曳引机概算重量 Motor weight	500kg
工作制 Working duty	S5-60%ED
绝缘等级 Ins. class	155(F)
制动器型号及数量 Brake type	2只DZD2

规格表 Specification table

型号 Product type	曳引比 Traction Ratio	额定 载重 Load (kg)	电梯 额定速度 Elevator Speed (m/s)	额定转速 Rated speed (r/min)	额定转矩 Rated torque (N.m)	电机 Motor					制动器 Brake			曳引轮 Sheave				
						功率 Power (kW)	电压 Voltage (V)	电流 Current (A)	极对数 Poles (p)	频率 Frequency (Hz)	电流 Current (A)	电压 Voltage (V)	制动力矩 Brake torque (N.m)	节径 Diameter (mm)	绳槽 Rope rovd	β角 β angle	γ角 γ angle	槽距 Groove pitch (mm)
GETM3.5K-100/1000	2:1	1000	1	80	767	17.2	340	11	10	13.3	2x1.15	DC110	2x1102.5	480	6xø10	90°	35°	15
GETM3.5K-175/1000			1.75	139		11.2		25.49		23.2								
GETM3.5K-100/1150	2:1	1150	1	80	882	7.4	340	18.28	10	13.3	2x1.15	DC110	2x1102.5	480	6xø10	90°	35°	15
GETM3.5K-175/1150			1.75	139		12.9		35		23.3								

注：1. 以上信息仅供参考，具体参数请以ODF表为准； 2. 绳槽数量、β角、γ角可根据客户系统进行非标。
 Note: 1. Above parameters for information only, final parameters shall be as per ODF. 2. Quantity of rope groove number, β angle and γ angle can be tailor-made according to customer's requests.

外形尺寸图 Overall Dimensions





条形机系列 Bar-Shaped Machine

该系列主机采用自主研发耐高温稀土材料磁钢，精选国际知名配件，如海德汉编码器等，并运用内转子结构，使产品各项技术指标远远优于行业标准。该系列主机采用长条形结构，使整体结构紧凑，体积小，同时噪音低于58dB(A)（行业标准68dB(A)）。卓越品质和优异性能使其适用于无机房、小机房客梯等。

High-performance heat-resisting NdFeB magnet is adopted, key parts are sourced from world famous suppliers such as Encoder from Heidenhain, and external rotor construction is adopted, all of which makes the performance exceeds the requirements in relevant industrial standards. This series of machine is of flat or bar shape, which makes the machine compact in structure and small in size. The noise level is lower than 58dB(A). The remarkable quality and outstanding performance makes this series an ideal choice for MRL elevator and MMR elevator.



低温升、低噪音、高效平稳
Low temperature rise, low noise level, high efficient and smooth.

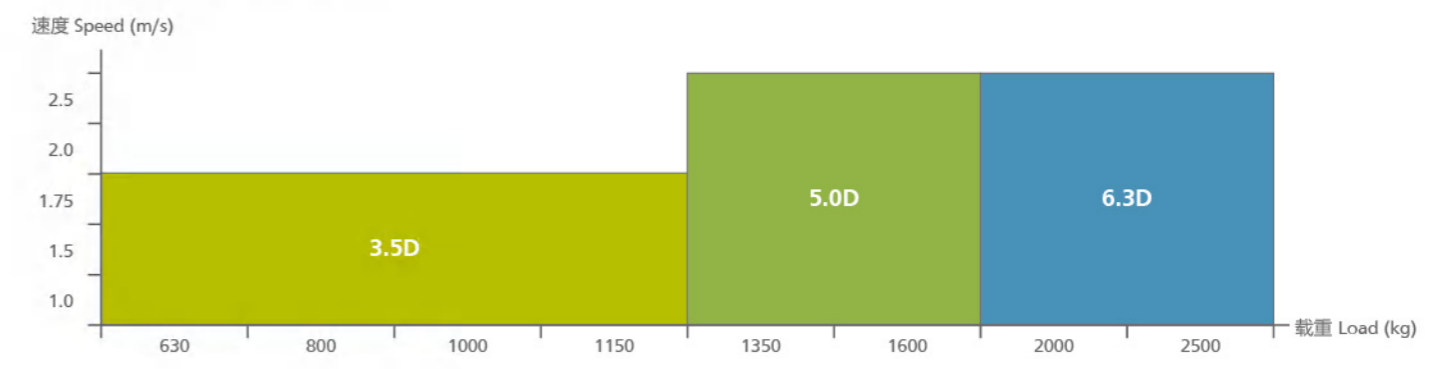


采用自制耐高温稀土材料磁钢，稳定可靠，并设置电机过热保护装置，确保电机永不退磁
In-house made heat-resisting NdFeB magnet is adopted to insure the reliability and stability. Thermal switch is furnished to make sure that the demagnetization will never occur.

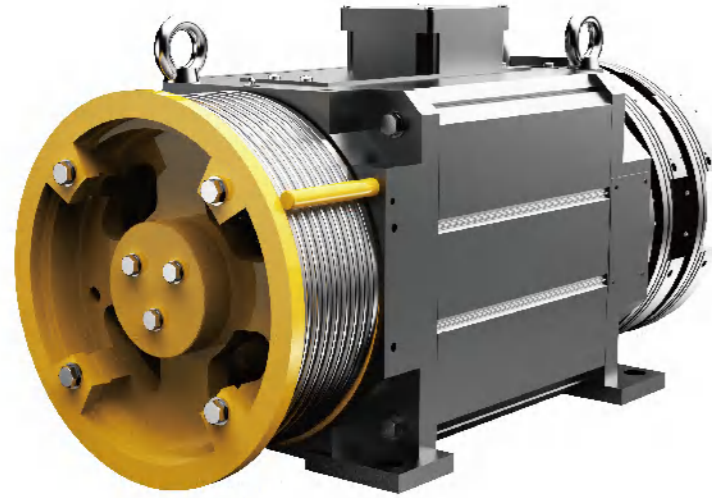


ZZD制动器，反应灵敏，制动可靠。通过CE认证，确保产品完美品质
ZZD Brakes adopted, swift in response and reliable in braking. CE approved, excellent quality is ensured.

产品系列 Products Series



GETM3.5D



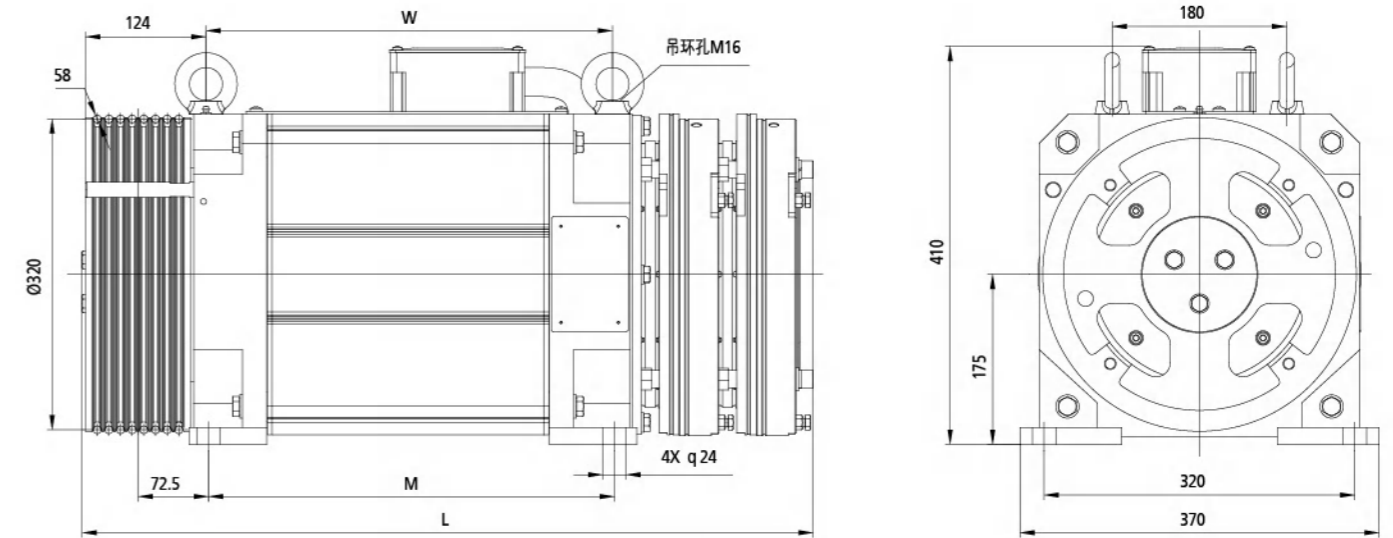
许用径向载荷 Max. axle load	3500kg
曳引机概算重量 Motor weight	365kg
工作制 Working duty	S5-60%ED
绝缘等级 Ins. class	155(F)
制动器型号及数量 Brake type	2只ZZD1-550

规格表 Specification table

型号 Product type	曳引比 Traction Ratio	额定 载重 Load (kg)	电梯 额定速度 Elevator Speed (m/s)	额定转速 Rated speed (r/min)	额定转矩 Rated torque (N.m)	电机 Motor				制动器 Brake			曳引轮 Sheave					
						功率 Power (kW)	电压 Voltage (V)	电流 Current (A)	极对数 Poles (p)	频率 Frequency (Hz)	电流 Current (A)	电压 Voltage (V)	制动力矩 Brake torque (N.m)	节径 Diameter (mm)	绳槽 Rope rid	β角 β angle	γ角 γ angle	槽距 Groove pitch (mm)
GETM3.5D-100/0630	2:1	630	1.0	119	311	3.9	340	10.2	10	19.83	2x0.88	DC110V	2x780	ø320	4xø8	85°	28°	12
GETM3.5D-175/0630			1.75	209		6.8		15.6		34.83								
GETM3.5D-100/0800	2:1	800	1.0	119	393	4.9	340	11.8	10	19.83	2x0.88	DC110V	2x780	ø320	5xø8	85°	28°	12
GETM3.5D-175/0800			1.75	209		8.6		18.9		34.83								
GETM3.5D-100/1000	2:1	1000	1.0	119	482	6	340	14.3	10	19.83	2x0.88	DC110V	2x780	ø320	6xø8	85°	28°	12
GETM3.5D-175/1000			1.75	209		10.7		24		34.83								
GETM3.5D-100/1150	2:1	1150	1.0	119	562	7	340	16.9	10	19.83	2x0.88	DC110V	2x780	ø320	8xø8	85°	28°	12
GETM3.5D-175/1150			1.75	209		12.3		26		34.83								

注：1. 以上信息仅供参考，具体参数请以ODF表为准； 2. 绳槽数量、β角、γ角可根据客户系统进行非标。
 Note: 1. Above parameters for information only, final parameters shall be as per ODF. 2. Quantity of rope groove number, β angle and γ angle can be tailor-made according to customer's requests.

外形尺寸图 Overall Dimensions



额定载重 Load (kg)	L	M	W
1150	722	391	388.5
1000	692	361	358.5
630-800	652	321	318.5

GETM5.0D



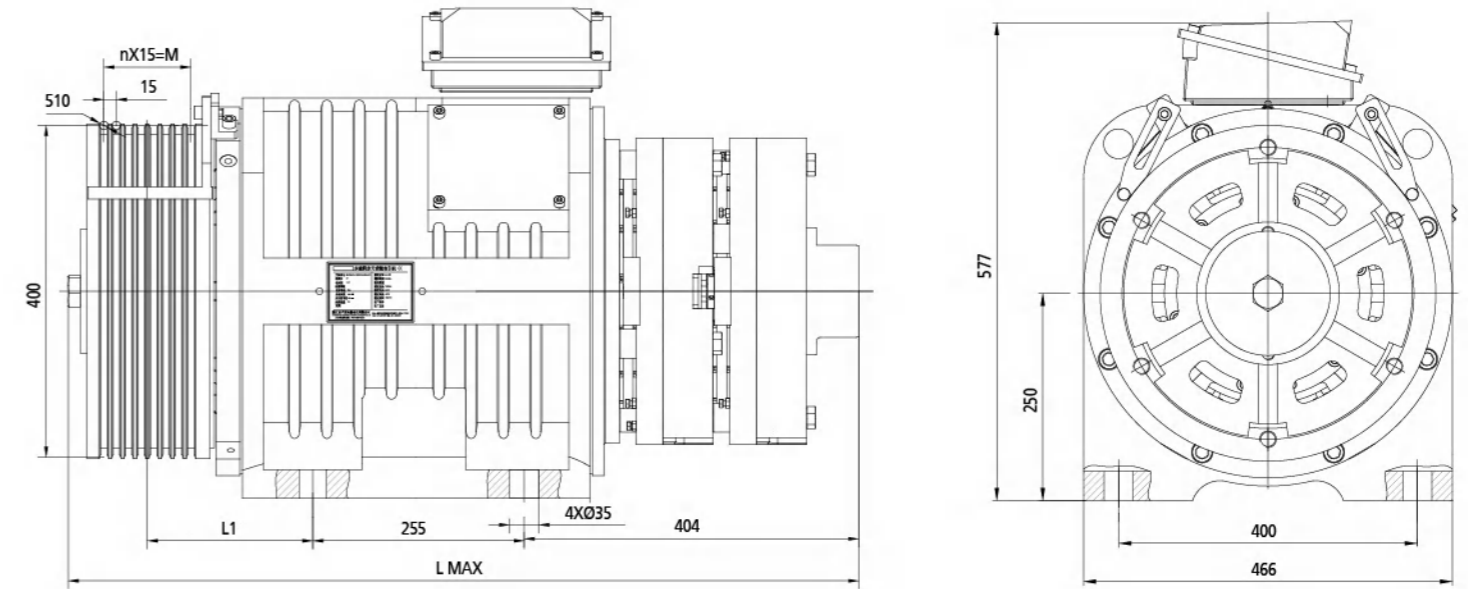
许用径向载荷 Max. axle load	5000kg
曳引机概算重量 Motor weight	695kg
工作制 Working duty	S5-60%ED
绝缘等级 Ins. class	155(F)
制动器型号及数量 Brake type	2只ZZD1-2000

规格表 Specification table

型号 Product type	曳引比 Traction Ratio	额定 载重 Load (kg)	电梯 额定速度 Elevator Speed (m/s)	额定转速 Rated speed (r/min)	额定转矩 Rated torque (N.m)	电机 Motor				制动器 Brake			曳引轮 Sheave						
						功率 Power (kW)	电压 Voltage (V)	电流 Current (A)	极对数 Poles (p)	频率 Frequency (Hz)	电流 Current (A)	电压 Voltage (V)	制动力矩 Brake torque (N.m)	绳径 Diameter (mm)	绳槽 Rope rod	β角 β angle	γ角 γ angle	槽距 Groove pitch (mm)	
GETM5.0D-100/1350	2:1	1350	1.0	95	902	9	340	18.5	10	15.83	2x2.87	DC200/100	2x2000	ø400	8xø10	100°	35°	15	
GETM5.0D-150/1350			1.5	143		13.5		27.1							23.83				8xø10
GETM5.0D-175/1350			1.75	167		15.8		32.4							27.83				8xø10
GETM5.0D-200/1350			2.0	191		18		38.5							31.83				8xø10
GETM5.0D-250/1350			2.5	239		22.5		46.1							39.83				8xø10
GETM5.0D-100/1600	2:1	1600	1.0	95	1070	10.7	340	22.4	10	15.83	2x2.87	DC200/100	2x2000	ø400	8xø10	100°	35°	15	
GETM5.0D-150/1600			1.5	143		16		34.4							23.83				8xø10
GETM5.0D-175/1600			1.75	167		18.7		37.7							27.83				8xø10
GETM5.0D-200/1600			2.0	191		21.4		47.7							31.83				8xø10
GETM5.0D-250/1600			2.5	239		26.7		62.6							39.83				8xø10
GETM5.0D-200/1600			2.0	191		21.4		47.7							31.83				10xø10
GETM5.0D-250/1600			2.5	239		26.7		62.6							39.83				10xø10
GETM5.0D-100/1600			1.0	95		10.7		22.4							15.83				10xø10
GETM5.0D-150/1600			1.5	143		16		34.4							23.83				10xø10
GETM5.0D-175/1600			1.75	167		18.7		37.7							27.83				10xø10

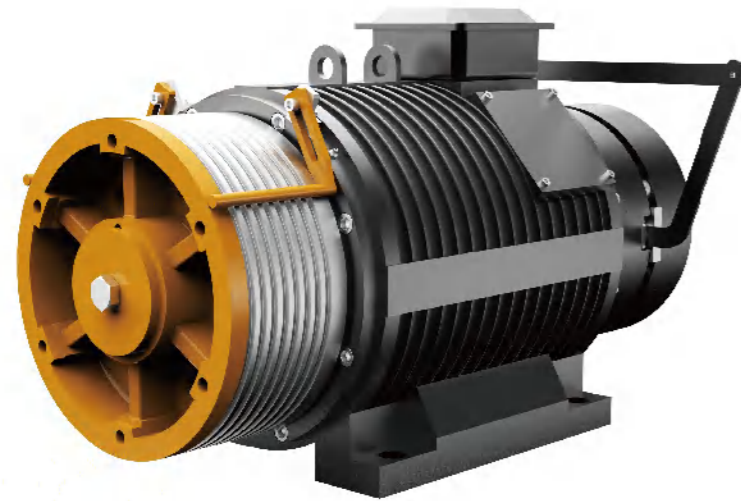
注：1. 以上信息仅供参考，具体参数请以ODF表为准； 2. 绳槽数量、β角、γ角可根据客户系统进行非标。
 Note: 1. Above parameters for information only, final parameters shall be as per ODF. 2. Quantity of rope groove number, β angle and γ angle can be tailor-made according to customer's requests.

外形尺寸图 Overall Dimensions



额定载重 Load (kg)	M	L1	L	重量 Weight (kg)	备注 Note
1350/1600	105	199.5	960	370	5.0D/8槽
1600	135	214.5	960	380	5.0D/10槽

GETM6.3D



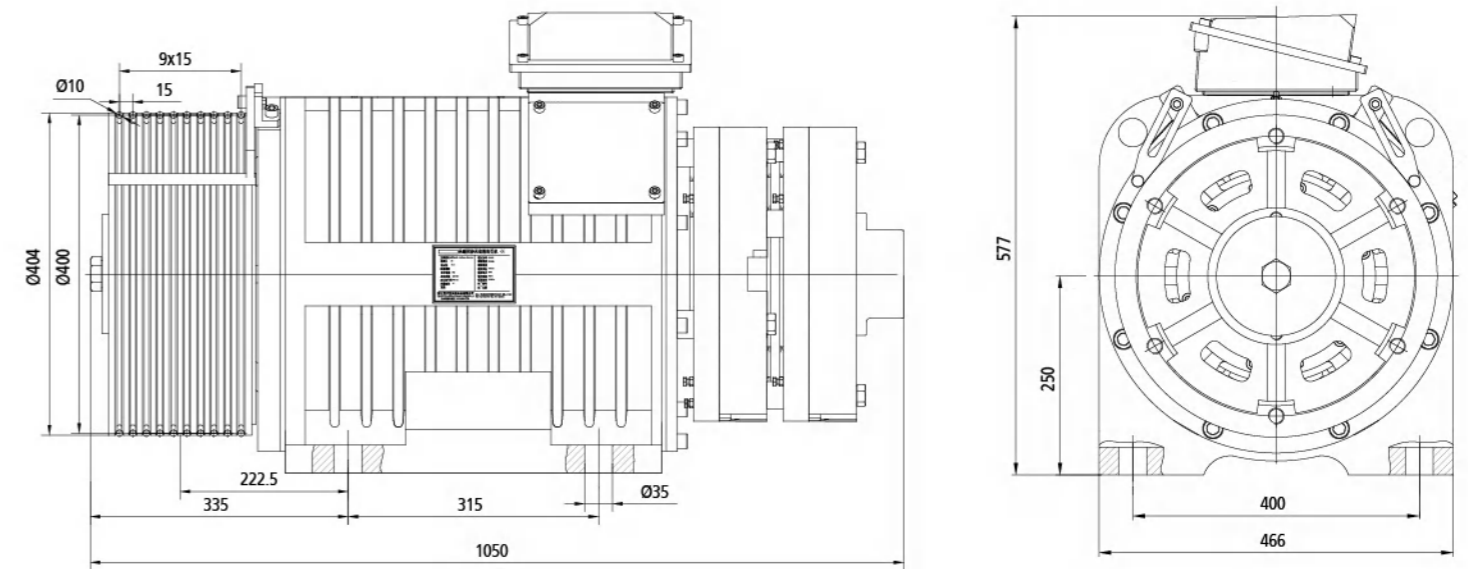
许用径向载荷 Max. axle load	6300kg
曳引机概算重量 Motor weight	730kg
工作制 Working duty	S5-60%ED
绝缘等级 Ins. class	155(F)
制动器型号及数量 Brake type	2只ZZD1-2000

规格表 Specification table

型号 Product type	曳引比 Traction Ratio	额定 载重 Load (kg)	电梯 额定速度 Elevator Speed (m/s)	额定转速 Rated speed (r/min)	额定转矩 Rated torque (N.m)	电机 Motor					制动器 Brake			曳引轮 Sheave				
						功率 Power (kW)	电压 Voltage (V)	电流 Current (A)	极对数 Poles (p)	频率 Frequency (Hz)	电流 Current (A)	电压 Voltage (V)	制动力矩 Brake torque (N.m)	节径 Diameter (mm)	绳槽 Rope rxd	β角 β angle	γ角 γ angle	槽距 Groove pitch (mm)
GETM6.3D-100/2000	2:1	2000	1.0	95	1487	13.4	340	27.5	10	15.83	2x2.87	DC200/100	2x2000	ø400	10xø10	100°	35°	15
GETM6.3D-150/2000			1.5	143		20		40.5		23.83								
GETM6.3D-175/2000			1.75	167		23.4		46.5		27.83								
GETM6.3D-200/2000			2.0	191		26.8		63.1		31.83								
GETM6.3D-250/2000			2.5	239		33.5		75.9		39.83								
GETM6.3D-100/2500	2:1	2500	1.0	95	1671	16.7	340	37	10	15.83	2x2.87	DC200/100	2x2000	ø400	10xø10	100°	35°	15
GETM6.3D-150/2500			1.5	143		25.1		54.1		23.83								
GETM6.3D-175/2500			1.75	167		29		62.1		27.83								
GETM6.3D-200/2500			2.0	191		33.4		75.3		31.83								
GETM6.3D-250/2500			2.5	239		41.8		92		39.83								

注：1. 以上信息仅供参考，具体参数请以ODF表为准； 2. 绳槽数量、β角、γ角可根据客户系统进行非标。
 Note: 1. Above parameters for information only, final parameters shall be as per ODF. 2. Quantity of rope groove number, β angle and γ angle can be tailor-made according to customer's requests.

外形尺寸图 Overall Dimensions

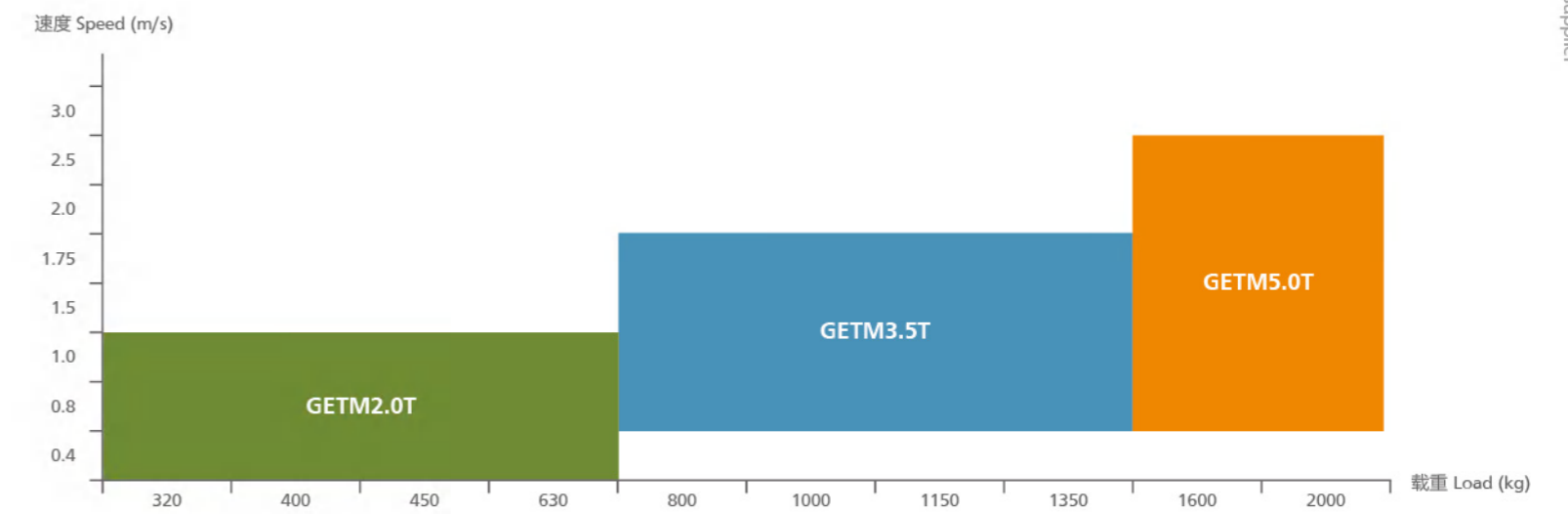




钢带主机系列 For MRL Elevators



Professional components supplier



注：详细规格咨询公司人员

GETM2.0T

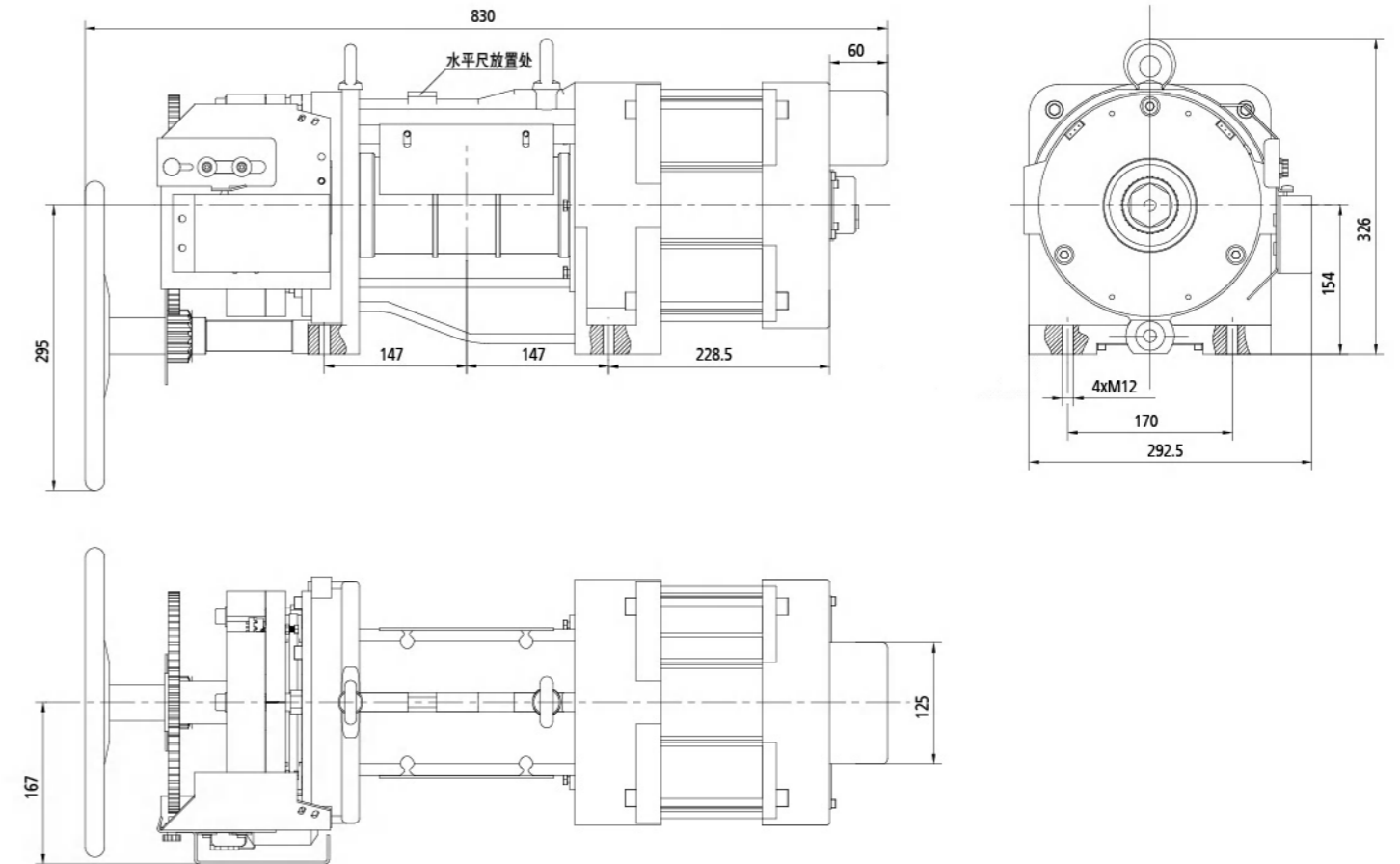


许用径向载荷 Max. axle load	2000kg
曳引机概算重量 Motor weight	130kg
工作制 Working duty	S5-60%ED
绝缘等级 Ins. class	155(F)
制动器型号及数量 Brake type	1只ZZD2-130

型号 Product type	曳引比 Traction Ratio	额定 载重 Load (kg)	电梯 额定速度 Elevator Speed (m/s)	额定转速 Rated speed (r/min)	额定转矩 Rated torque (N.m)	电机 Motor					制动器 Brake			曳引轮 Sheave	
						功率 Power (kW)	电压 Voltage (V)	电流 Current (A)	极对数 Poles (p)	频率 Frequency (Hz)	电流 Current (A)	电压 Voltage (V)	制动力矩 Brake torque (N.m)	节径 Diameter (mm)	槽型参数 Groove parameters
GETM2.0T-040/0450	2:1	450	0.4	153	75	1.2	220	4.9	5	12.8	0.95	DC 110	2x130	100	5+60+5+60+5+60+5 3槽
GETM2.0T-100/0450			1.0	382		2.9		11.2		31.8					
GETM2.0T-100/0630	2:1	630	1.0	382	105	4.0	220	15.4	5	31.8	0.95	DC 110	2x130	100	

注：1. 以上信息仅供参考，具体参数请以ODF表为准； 2. 曳引轮轴可根据客户系统进行非标。
 Note: 1. Above parameters for information only, final parameters shall be as per ODF. 2. The sheave axle can be tailor-according to customer's requirement.

外形尺寸图 Overall Dimensions



注：1. 本机分为有机房及无机房主机两种状态；
 2. 以上图纸为右置，左置与上图对称布置。

Remarks:
 1. This machine is suitable for MR and MRL.
 2. The above drawing is for left-side layout, Left-side layout and above drawing in symmetric distribution.

GETM3.5T

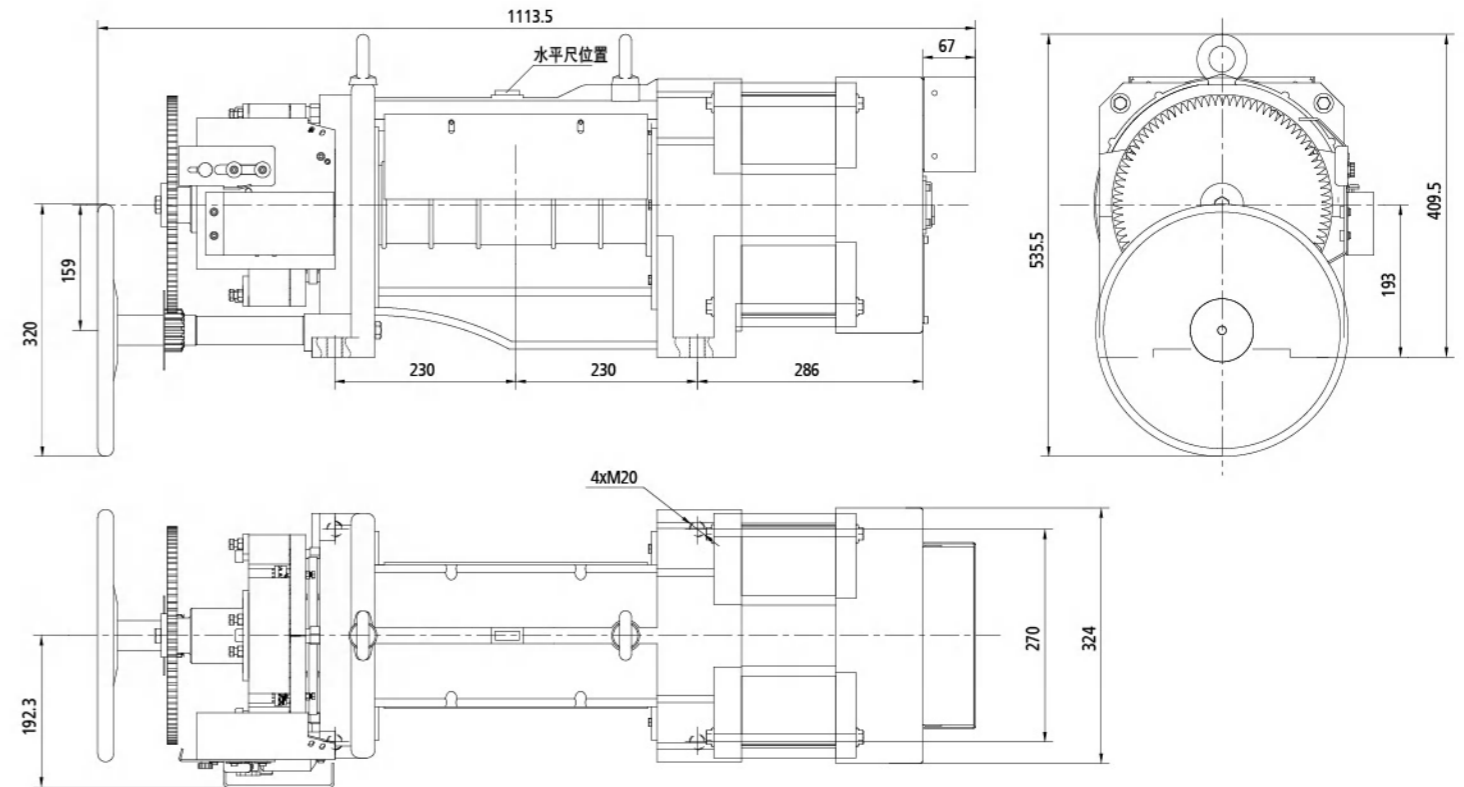


许用径向载荷 Max. axle load	3500kg
曳引机概算重量 Motor weight	310kg
工作制 Working duty	S5-60%ED
绝缘等级 Ins. class	155(F)
制动器型号及数量 Brake type	1只ZZD2-340

型号 Product type	曳引比 Traction Ratio	额定 载重 Load (kg)	电梯 额定速度 Elevator Speed (m/s)	额定转速 Rated speed (r/min)	额定转矩 Rated torque (N.m)	电机 Motor					制动器 Brake			曳引轮 Sheave	
						功率 Power (kW)	电压 Voltage (V)	电流 Current (A)	极对数 Poles (p)	频率 Frequency (Hz)	电流 Current (A)	电压 Voltage (V)	制动力矩 Brake torque (N.m)	节径 Diameter (mm)	槽型参数 Groove parameters
GETM3.5T-100/0800	2:1	800	1.0	382	134	5.3	340	14.0	6	38.2	1.2	DC 110	2x330	100	5+55+5+55+5+90+55+5+55+5 5槽
GETM3.5T-150/0800			1.5	573		8		18.93		57.3					
GETM3.5T-175/0800			1.75	669		9		20.25		66.9					
GETM3.5T-100/1000	2:1	1000	1.0	382	167	6.7	340	15.96	6	38.2	1.2	DC 110	2x330	100	
GETM3.5T-150/1000			1.5	573		10		23.24		57.3					
GETM3.5T-175/1000			1.75	669		11.7		27.75		66.9					
GETM3.5T-100/1050	2:1	1050	1.0	382	175	7	340	16.49	6	38.2	1.2	DC 110	2x330	100	
GETM3.5T-150/1050			1.5	573		10.5		24.18		57.3					
GETM3.5T-175/1050			1.75	669		12.3		28.66		66.9					

注：1. 以上信息仅供参考，具体参数请以ODF表为准； 2. 曳引轮轴可根据客户系统进行非标。
 Note: 1. Above parameters for information only, final parameters shall be as per ODF. 2. The sheave axle can be tailor-according to customer's requirement.

外形尺寸图 Overall Dimensions



注：1. 本机分为有机房及无机房主机两种状态；
 2. 以上图纸为右置，左置与上图对称布置。

Remarks:
 1. This machine is suitable for MR and MRL.
 2. The above drawing is for left-side layout, Left-side layout and above drawing in symmetric distribution.

GETM5.0T

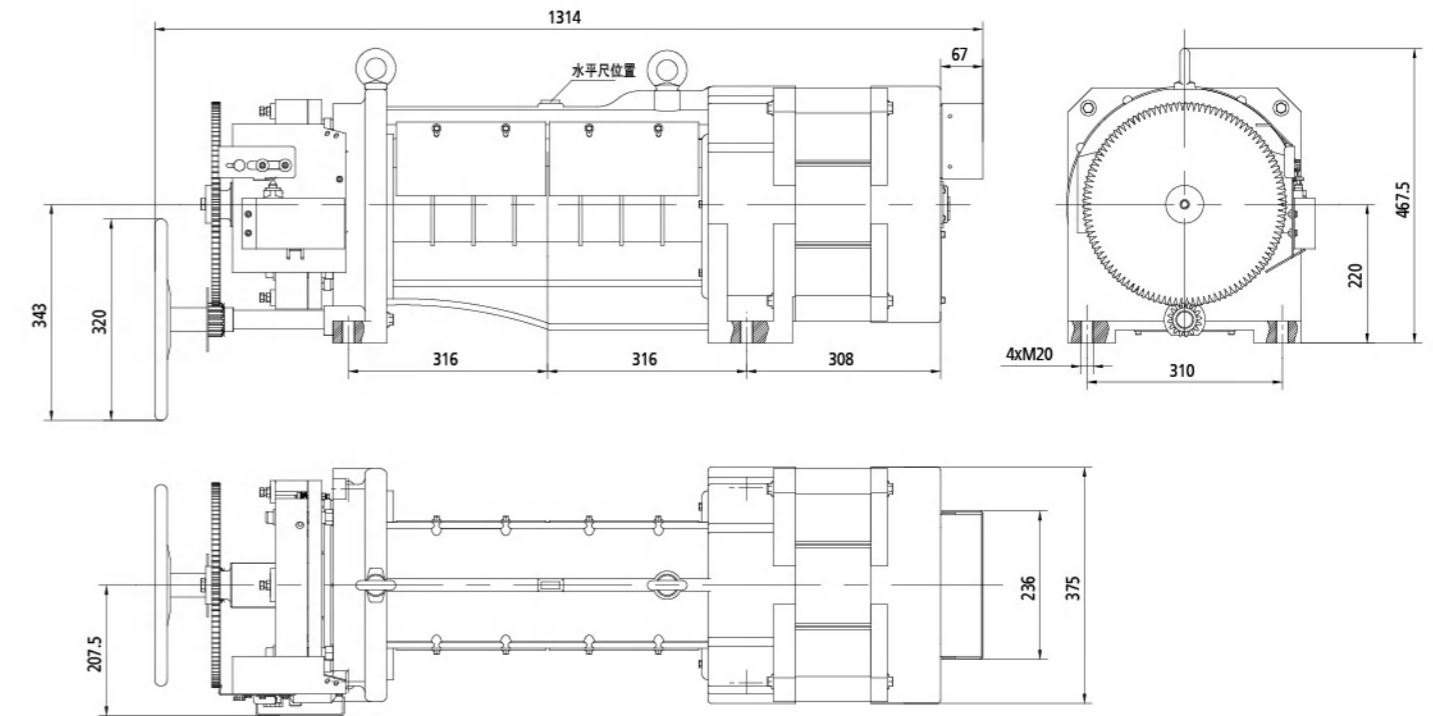


许用径向载荷 Max. axle load	5000kg
曳引机概算重量 Motor weight	载重1600kg时为450kg, 其余410kg
工作制 Working duty	S5-60%ED
绝缘等级 Ins. class	155(F)
制动器型号及数量 Brake type	1只ZZD2-480

型号 Product type	曳引比 Traction Ratio	额定 载重 Load (kg)	电梯 额定速度 Elevator Speed (m/s)	额定转速 Rated speed (r/min)	额定转矩 Rated torque (N.m)	电机 Motor					制动器 Brake			曳引轮 Sheave	
						功率 Power (kW)	电压 Voltage (V)	电流 Current (A)	极对数 Poles (p)	频率 Frequency (Hz)	电流 Current (A)	电压 Voltage (V)	制动力矩 Brake torque (N.m)	节径 Diameter (mm)	槽型参数 Groove parameters
GETM5.0T-100/1150	2:1	1150	1.0	318	230	7.7	340	17.50	6	31.8	1.45	DC 110	2x480	120	5+60+5+60+5+60+5+100+5 +60+5+60+5+60+5 7槽
GETM5.0T-150/1150			1.5	478		11.6		26.81		47.8					
GETM5.0T-175/1150			1.75	557		13.5		30.50		55.7					
GETM5.0T-100/1350	2:1	1350	1.0	318	270	9	340	20.44	6	31.8	1.45	DC 110	2x480	120	
GETM5.0T-150/1350			1.5	478		13.5		30.10		47.8					
GETM5.0T-175/1350			1.75	557		15.8		37.56		55.7					
GETM5.0T-100/1600	2:1	1600	1.0	318	321	10.7	340	24.89	6	31.8	1.45	DC 110	2x480	120	
GETM5.0T-150/1600			1.5	478		16		34.57		47.8					
GETM5.0T-175/1600			1.75	557		18.7		39.00		55.7					

注: 1. 以上信息仅供参考, 具体参数请以ODF表为准; 2. 曳引轮轴可根据客户系统进行非标。
 Note: 1. Above parameters for information only, final parameters shall be as per ODF. 2. The sheave axle can be tailor-according to customer's requirement.

外形尺寸图 Overall Dimensions



注: 1. 本机分为有机房及无机房主机两种状态;
 2. 以上图纸为右置, 左置与上图对称布置。

Remarks:
 1. This machine is suitable for MR and MRL.
 2. The above drawing is for left-side layout, Left-side layout and above drawing in symmetric distribution.



家用梯/小载重主机系列 For Home Lifts & Small Lifts

该系列主机运用先进的电磁方案设计和结构设计，使主机精致小巧，结构紧凑，性能更为优异，有效节省建筑空间。产品运行时噪音低，为用户创造静谧舒适的环境，广泛应用于家用梯、别墅梯和无机房客梯等。

Advanced electromagnetic design and structural design is applied to this series of machine. Its mini-size, compact structure and even-better performance can effectively reduce construction's size. Its quietness creates comfortable riding experience. This series of machine is widely used for home lift, villa lift and small MRL passenger elevator.



采用自主研发的高性能磁钢材料，并设置过热安全保护装置，延长电机使用寿命
In-house made high-performance NdFeB magnet brings longer life for the motor.



噪音低，保持精巧的同时不失优异的性能
Low noise level, good balance between reduced size and excellent performance.

GETM1.5



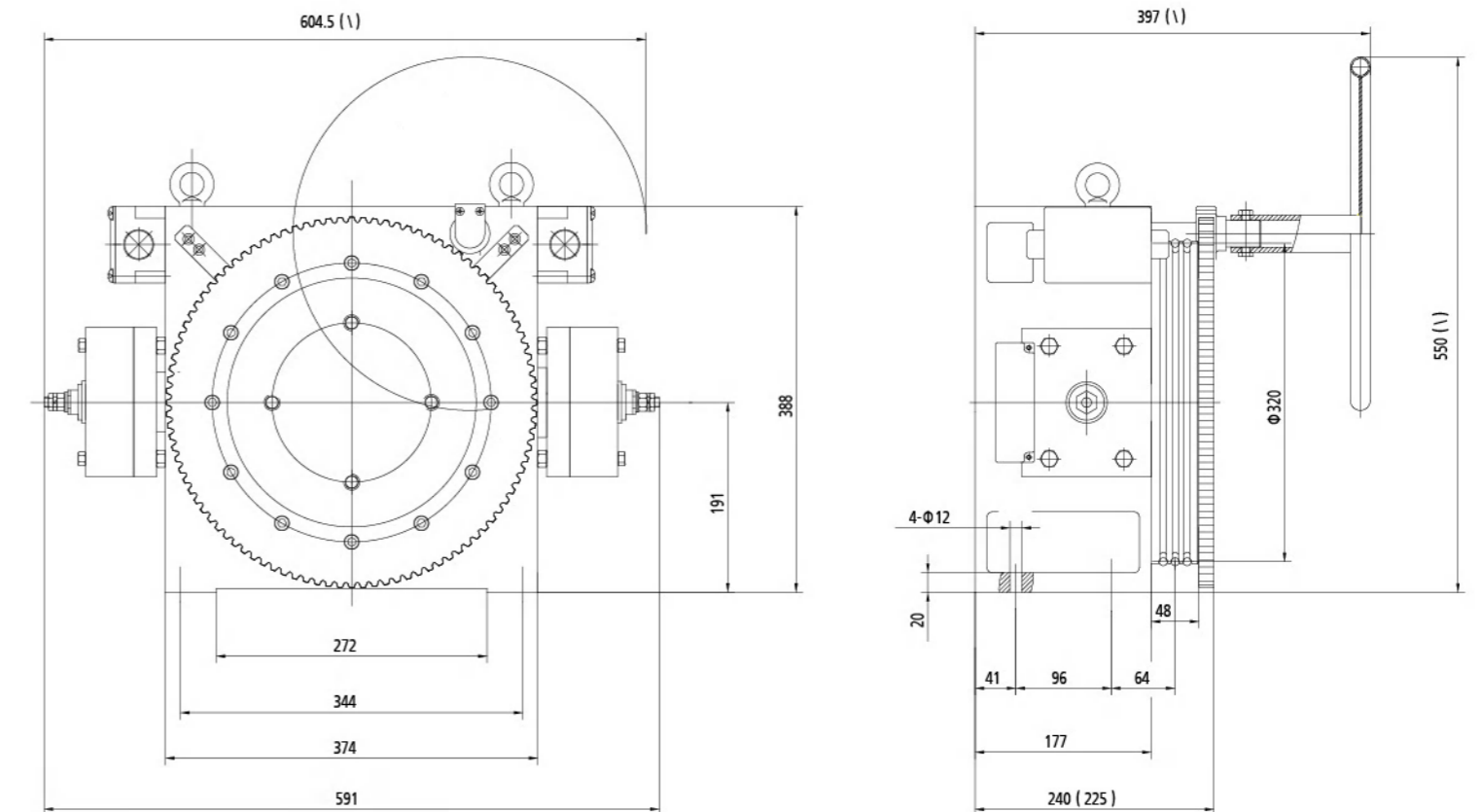
许用径向载荷 Max. axle load	1500kg
曳引机概算重量 Motor weight	180kg
工作制 Working duty	S5-40%ED
绝缘等级 Ins. class	155(F)
制动器型号及数量 Brake type	2只DZD1-351

规格表 Specification table

型号 Product type	曳引比 Traction Ratio	额定载重 Load (kg)	电梯额定速度 Elevator Speed (m/s)	额定转速 Rated speed (r/min)	额定转矩 Rated torque (N.m)	电机 Motor				制动器 Brake			曳引轮 Sheave					
						功率 Power (kW)	电压 Voltage (V)	电流 Current (A)	极对数 Poles (p)	频率 Frequency (Hz)	电流 Current (A)	电压 Voltage (V)	制动力矩 Brake torque (N.m)	节径 Diameter (mm)	绳槽 Rope rxd	β角 β angle	γ角 γ angle	槽距 Groove pitch (mm)
GETM1.5-100/0400	2:1	400	1.0	119	233	2.9	340	6.8	12	23.8	2x0.9	DC110	2x270	320	3xø8	96°	35°	12

注：1. 以上信息仅供参考，具体参数请以ODF表为准； 2. 绳槽数量、β角、γ角可根据客户系统进行非标。
Note: 1. Above parameters for information only, final parameters shall be as per ODF. 2. Quantity of rope groove number, β angle and γ angle can be tailor-made according to customer's requests.

外形尺寸图 Overall Dimensions

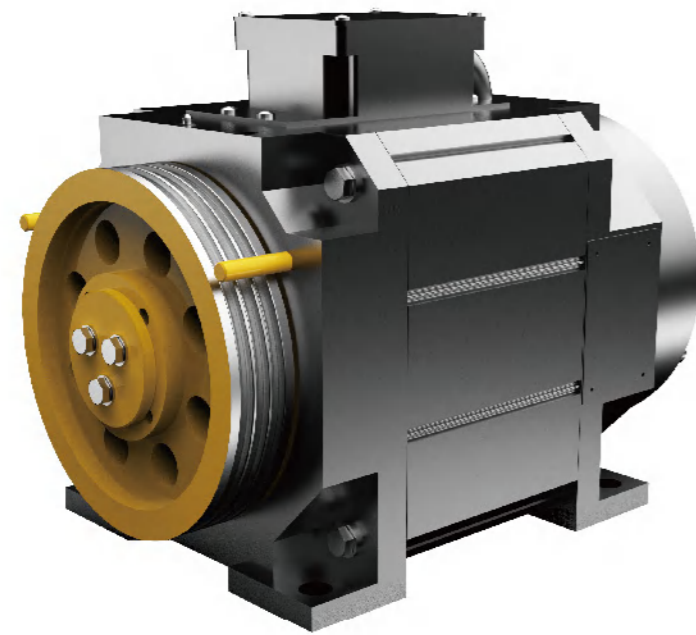


- 注：1、本机型分为有盘车和无盘车两种状态；
2、括号里数值表示无盘车时尺寸；
3、可配备远程松闸装置，松闸线长4~10米。

Remarks:

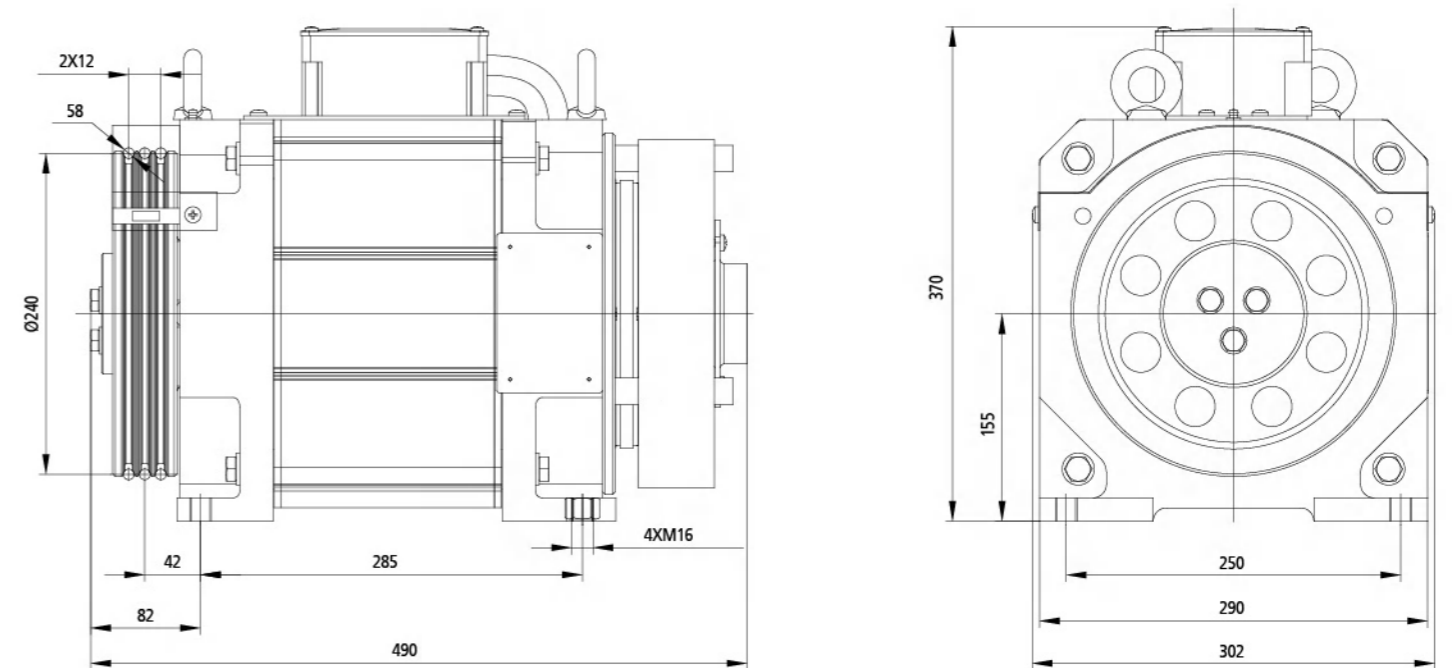
- Both hand wind and hand wind-less types are available.
- The data in the bracket is for the size of hand wind-less type.
- Remote release device is available, the length of releasing wire ranges 4~10m.

GETM2.0D



许用径向载荷 Max. axle load	2000kg
曳引机概算重量 Motor weight	200kg
工作制 Working duty	S5-60%ED
绝缘等级 Ins. class	155(F)
制动器型号及数量 Brake type	1只ZZD2-210

外形尺寸图 Overall Dimensions



型号 Product type	曳引比 Traction Ratio	额定载重 Load (kg)	电梯额定速度 Elevator Speed (m/s)	额定转速 Rated speed (r/min)	额定转矩 Rated torque (N.m)	电机 Motor					制动器 Brake		曳引轮 Sheave					
						功率 Power (kW)	电压 Voltage (V)	电流 Current (A)	极对数 Poles (p)	频率 Frequency (Hz)	电流 Current (A)	电压 Voltage (V)	制动力矩 Brake torque (N.m)	节径 Diameter (mm)	绳槽 Rope rxd	β角 β angle	γ角 γ angle	槽距 Groove pitch (mm)
GETM2.0D	2:1	400	0.4	64	164	1.1	220	5.6	10	10.67	1.65	DC 110	2x210	240	3xø8	90°	35°	12

注：1. 以上信息仅供参考，具体参数请以ODF表为准； 2. 绳槽数量、β角、γ角可根据客户系统进行非标。
 Note: 1. Above parameters for information only, final parameters shall be as per ODF. 2. Quantity of rope groove number, β angle and γ angle can be tailor-made according to customer's requests.



高速主机系列 For High-Speed Elevators

此系列主机拥有超高载重量和10m/s的最大额定速度，可广泛适用于高速、大载重电梯的高层建筑，单绕和复绕的结构均适用。该系列主机运用内转子双支撑结构，先进技术保证了产品运行的高效平稳。产品采用进口制动器，自制高性能磁钢和国际知名配件，其温升和噪音都远远低于行业标准。

This series of traction machine is applicable for elevators with large rated load and Max. rated speed at 10m/s which is installed in ultra high-rise buildings. Both single wrap and double wrap is available. Advanced technologies is such as internal rotor & dual supporting structure is adopted to ensure high efficiency and smooth operation. The adoption of imported brakes, in-house made high-performance magnets and other famous-brand parts guarantees its temperature rising and noise level much lower than the level required by relevant standards.



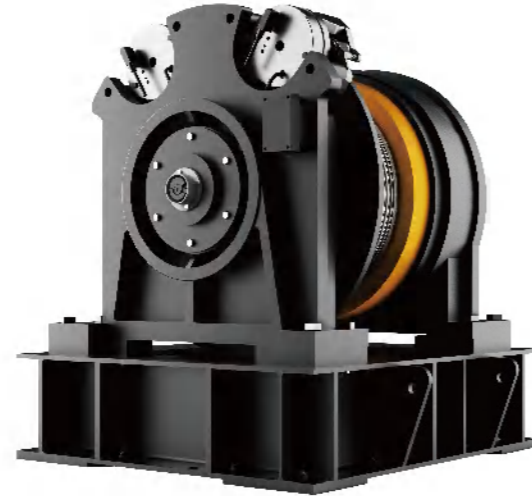
钳式制动器，动作灵敏，运行快速平稳，特殊的工艺保证制动可靠、制动力矩稳定
Imported brake, swift and sensitive in response, smooth in operation, reliable braking guaranteed by unique fabrication techniques, stable braking torque.



超高载重量和高速运行，更适合高端用户的需求
Ultra large rated load and high rated speed, ideal choice for high-end customers.

GETM12C (复绕 Double Wrapping)

许用径向载荷 Max. axle load	12000kg
电机机概算重量 Motor weight	1460kg
工作制 Working duty	S5-60%ED
绝缘等级 Ins. class	155(F)
制动器型号及数量 Brake type	2只EC-5415SM-C

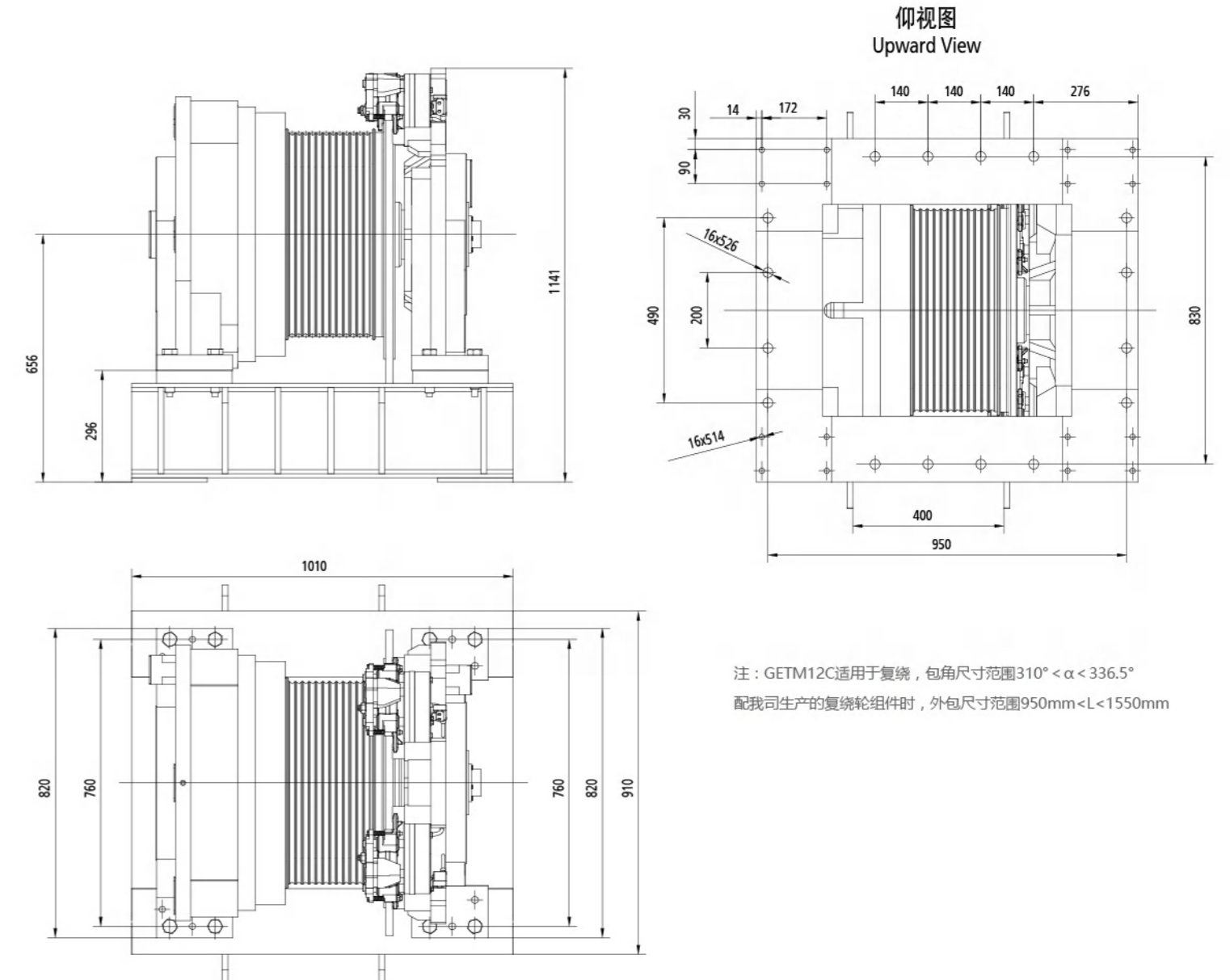


规格表 Specification table

型号 Product type	曳引比 Traction Ratio	额定载重 Load (kg)	电梯额定速度 Elevator Speed (m/s)	额定转速 Rated speed (r/min)	额定转矩 Rated torque (N.m)	电机 Motor					制动器 Brake			曳引轮 Sheave			
						功率 Power (kW)	电压 Voltage (V)	电流 Current (A)	极对数 Poles (p)	频率 Frequency (Hz)	电流 Current (A)	电压 Voltage (V)	制动力矩 Brake torque (N.m)	节径 Diameter (mm)	绳槽 Rope rxd	β角 β angle	γ角 γ angle
GETM12C-400/1600	2:1 复绕 Double Wrapping	1600	4.0	283	1485	44	513	65	16	75.5	2x3	DC 90	2x1856	540	12xø13	半圆槽 Semi-Circular Groove	18
340			91														
513			55														
GETM12C-350/1600	2:1 复绕 Double Wrapping	1600	3.5	248	1505	39	513	80	16	66	2x3	DC 90	2x1856	540	12xø13	半圆槽 Semi-Circular Groove	18
340			80														
513			48														
GETM12C-300/1600	2:1 复绕 Double Wrapping	1600	3.0	212	1487	33	513	71	16	56.5	2x3	DC 90	2x1856	540	12xø13	半圆槽 Semi-Circular Groove	18
340			71														
513			47														
GETM12C-400/1350	2:1 复绕 Double Wrapping	1350	4.0	283	1249	37	513	53	16	75.5	2x3	DC 90	2x1856	540	12xø13	半圆槽 Semi-Circular Groove	18
340			77														
513			47														
GETM12C-350/1350	2:1 复绕 Double Wrapping	1350	3.5	248	1272	33	513	70	16	66	2x3	DC 90	2x1856	540	12xø13	半圆槽 Semi-Circular Groove	18
340			70														
513			40														
GETM12C-300/1350	2:1 复绕 Double Wrapping	1350	3.0	212	1262	28	513	57	16	56.5	2x3	DC 90	2x1856	540	12xø13	半圆槽 Semi-Circular Groove	18
340			57														
513			46														
GETM12C-400/1150	2:1 复绕 Double Wrapping	1150	4.0	283	1080	32	513	65	16	75.5	2x3	DC 90	2x1856	540	12xø13	半圆槽 Semi-Circular Groove	18
340			65														
513			40														
GETM12C-350/1150	2:1 复绕 Double Wrapping	1150	3.5	248	1080	28	513	57	16	66	2x3	DC 90	2x1856	540	12xø13	半圆槽 Semi-Circular Groove	18
340			57														
513			34														
GETM12C-300/1150	2:1 复绕 Double Wrapping	1150	3.0	212	1082	24	513	49	16	56.5	2x3	DC 90	2x1856	540	12xø13	半圆槽 Semi-Circular Groove	18
340			49														
513			49														

注：1. 以上信息仅供参考，具体参数请以ODF表为准； 2. 绳槽数量、β角、γ角可根据客户系统进行非标。
 Note: 1. Above parameters for information only, final parameters shall be as per ODF. 2. Quantity of rope groove number, β angle and γ angle can be tailor-made according to customer's requests.

外形尺寸图 Overall Dimensions



注：GETM12C适用于复绕，包角尺寸范围 $310^\circ < \alpha < 336.5^\circ$
 配我司生产的复绕轮组件时，外包尺寸范围 $950\text{mm} < L < 1550\text{mm}$

GETM15C (单/复绕 Single / Double Wrapping)

许用径向载荷 Max. axle load	15000kg
电机机概算重量 Motor weight	1500kg
工作制 Working duty	S5-60%ED
绝缘等级 Ins. class	155(F)
制动器型号及数量 Brake type	2只EC-4023EF-100R

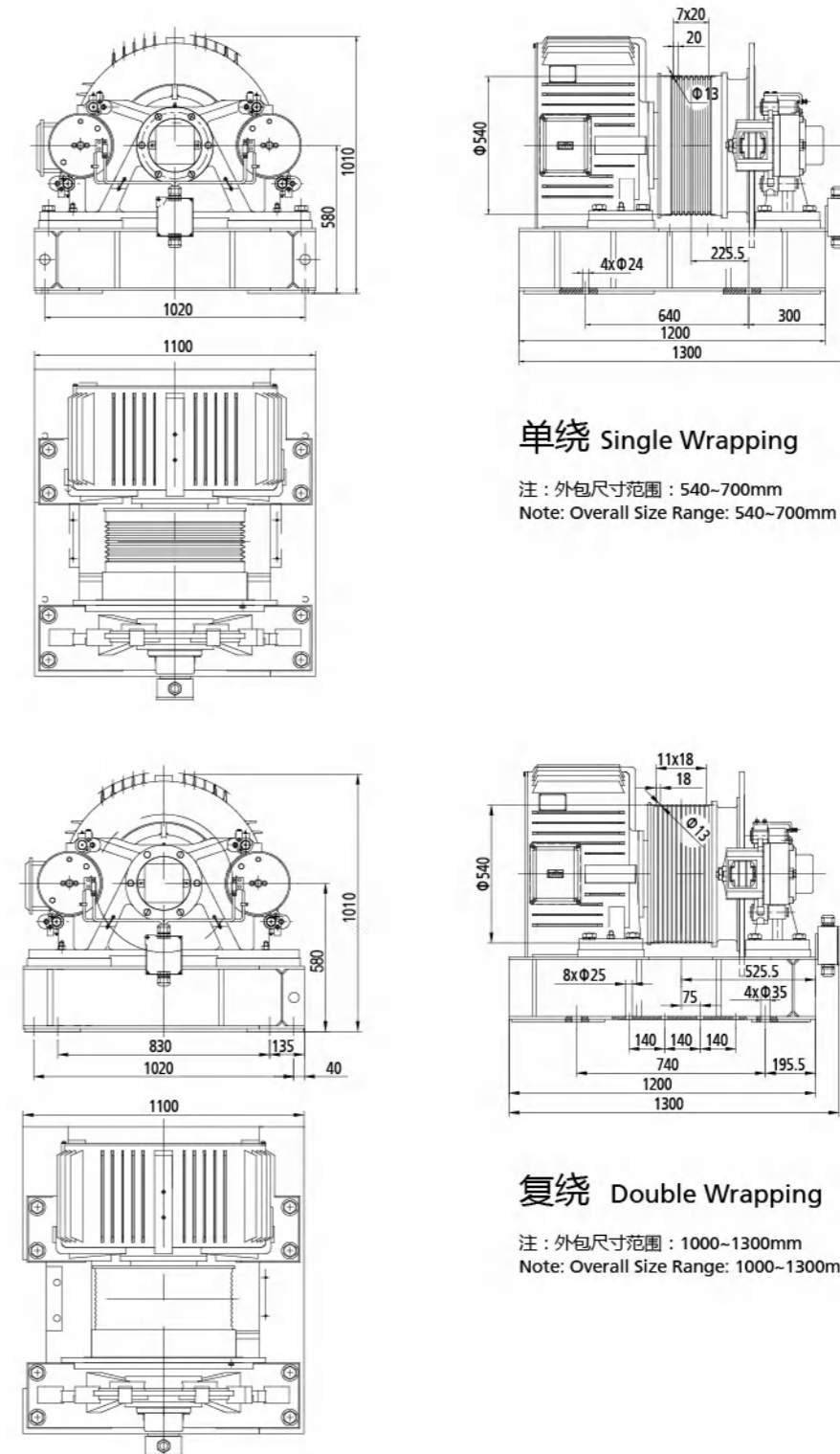


规格表 Specification table

型号 Product type	曳引比 Traction Ratio	额定 载重 Load (kg)	电梯 额定速度 Elevator Speed (m/s)	额定转速 Rated speed (r/min)	额定转矩 Rated torque (N.m)	电机 Motor					制动器 Brake			曳引轮 Sheave				
						功率 Power (kW)	电压 Voltage (V)	电流 Current (A)	极对数 Poles (p)	频率 Frequency (Hz)	电流 Current (A)	电压 Voltage (V)	制动力矩 Brake torque (N.m)	节径 Diameter (mm)	绳槽 Rope rod	β角 β angle	γ角 γ angle	槽距 Groove pitch (mm)
GETM15C-300/1350	2:1 复绕 Double Wrapping	1350	3.0	212	1220	27	340	58	12	42.4	2x2	DC125	2x2800	540	12xø13	半圆槽 Semi-Circular Groove	18	
GETM15C-350/1350			3.5	248		32				68					49.6			12xø13
GETM15C-400/1350			4	283		36				77					56.6			12xø13
GETM15C-300/1600		1600	3.0	212	32	68	42.4	12xø13										
GETM15C-350/1600			3.5	248	1450	38	79	49.6	12xø13									
GETM15C-400/1600			4	283	43	90	56.6	12xø13										
GETM15C-300/2000	2000	3.0	212	40	84	12	42.4	2x2	DC125	2x2800	540	12xø13	切口槽 V Groove	20				
GETM15C-350/2000		3.5	248	1820	47	98	49.6	12xø13										
GETM15C-400/2000		4	283	54	113	56.6	12xø13											
GETM15C-100/4000	4:1 单绕 Single Wrapping	4000	1	142	1880	28	513	54	12	28	2x2	DC125	2x2800	540	8xø13	半圆槽 Semi-Circular Groove	18	
GETM15C-175/4000			1.75	249		49				102					50			8xø13
GETM15C-100/5000			1	142		33				72					28			8xø13
GETM15C-175/5000			1.75	249		58				118					50			8xø13
GETM15C-300/1350	2:1 复绕 Double Wrapping	1350	3.0	212	1220	27	340	40	12	42.4	2x2	DC125	2x2800	540	12xø13	半圆槽 Semi-Circular Groove	18	
GETM15C-350/1350			3.5	248		32				46					49.6			12xø13
GETM15C-400/1350			4	283		36				53					56.6			12xø13
GETM15C-300/1600		1600	3.0	212	32	46	42.4	12xø13										
GETM15C-350/1600			3.5	248	1450	38	54	49.6	12xø13									
GETM15C-400/1600			4	283	43	62	56.6	12xø13										
GETM15C-300/2000		2000	3.0	212	40	57	42.4	12xø13										
GETM15C-350/2000			3.5	248	1820	47	66	49.6	12xø13									
GETM15C-400/2000			4	283	54	76	56.6	12xø13										

注：1. 以上信息仅供参考，具体参数请以ODF表为准； 2. 绳槽数量、β角、γ角可根据客户系统进行非标。
 Note: 1. Above parameters for information only, final parameters shall be as per ODF. 2. Quantity of rope groove number, β angle and γ angle can be tailor-made according to customer's requests.

外形尺寸图 Overall Dimensions



单绕 Single Wrapping

注：外包尺寸范围：540~700mm
 Note: Overall Size Range: 540~700mm

复绕 Double Wrapping

注：外包尺寸范围：1000~1300mm
 Note: Overall Size Range: 1000~1300mm

GETM40C (复绕 Double Wrapping)



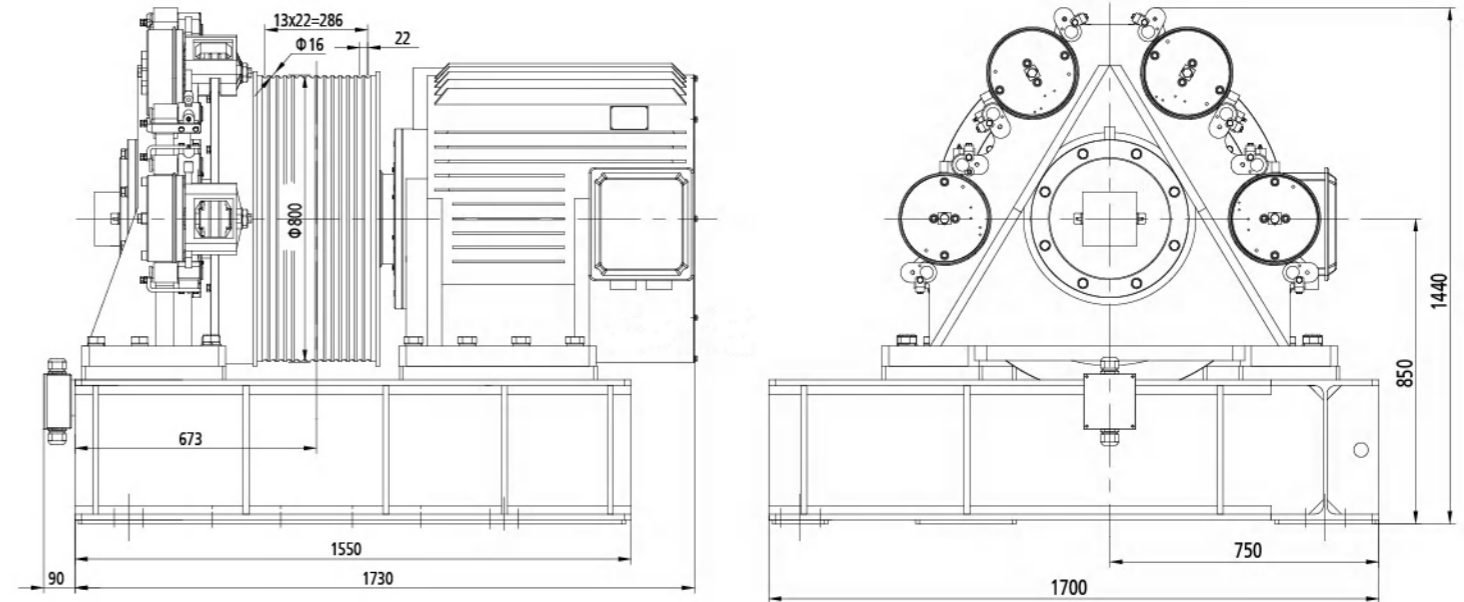
许用径向载荷 Max. axle load	40000kg
曳引机概算重量 Motor weight	4760kg
工作制 Working duty	S5-60%ED
绝缘等级 Ins. class	155(F)
制动器型号及数量 Brake type	4只4023-EF

规格表 Specification table

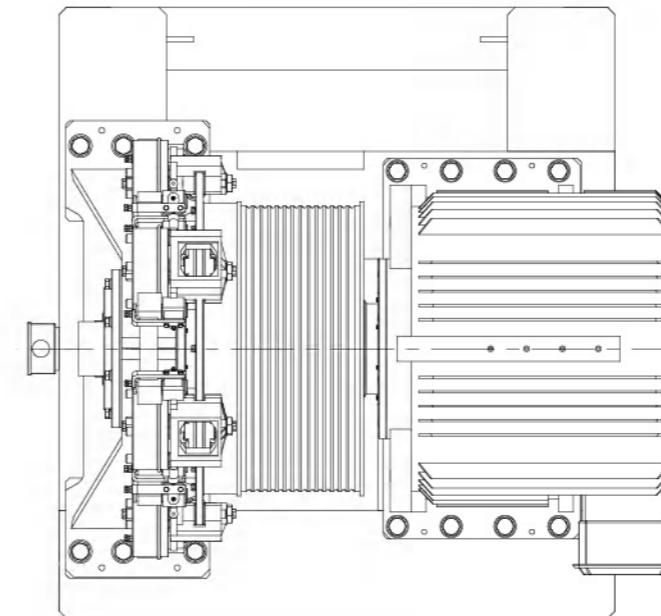
型号 Product type	曳引比 Traction Ratio	额定载重 Load (kg)	电梯额定速度 Elevator Speed (m/s)	额定转速 Rated speed (r/min)	额定转矩 Rated torque (N.m)	电机 Motor				制动器 Brake			曳引轮 Sheave						
						功率 Power (kW)	电压 Voltage (V)	电流 Current (A)	极对数 Poles (p)	频率 Frequency (Hz)	电流 Current (A)	电压 Voltage (V)	制动力矩 Brake torque (N.m)	节径 Diameter (mm)	绳槽 Rope rxd	β角 β angle	γ角 γ angle	槽距 Groove pitch (mm)	
GETM40C-500/1600	1:1 复绕 Double Wrapping	1600	5	120	4275	53.5	340	113	12	23.88	4x2	DC125	4x3540	800	6xφ16	半圆槽 Semi-Circular Groove	22		
GETM40C-600/1600			6	143		64												134	28.6
GETM40C-700/1600			7	167		72												156	33.4
GETM40C-500/2000		2000	5	120	5342	66.8	200	147	23.9	28.6	33.4								
GETM40C-600/2000			6	143		80						178	28.6						
GETM40C-700/2000			7	167		93.6						200	33.4						

注：1. 以上信息仅供参考，具体参数请以ODF表为准； 2. 绳槽数量、β角、γ角可根据客户系统进行非标。
 Note: 1. Above parameters for information only, final parameters shall be as per ODF. 2. Quantity of rope groove number, β angle and γ angle can be tailor-made according to customer's requests.

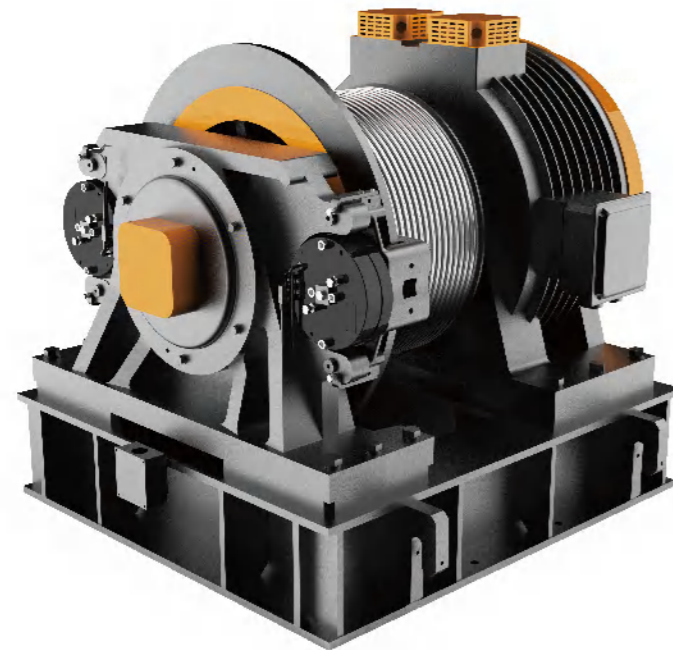
外形尺寸图 Overall Dimensions



适用于外包尺寸范围1200-1300mm
 Applicable for Overall Size Range 1200-1300mm



GETM70C



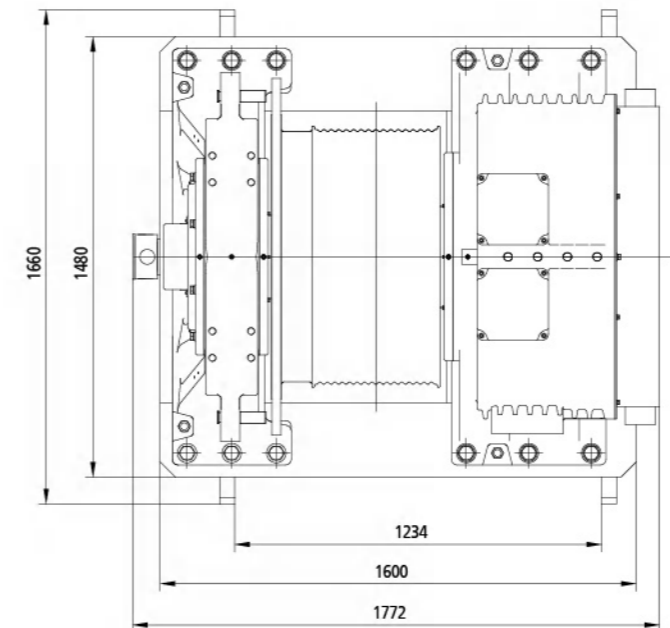
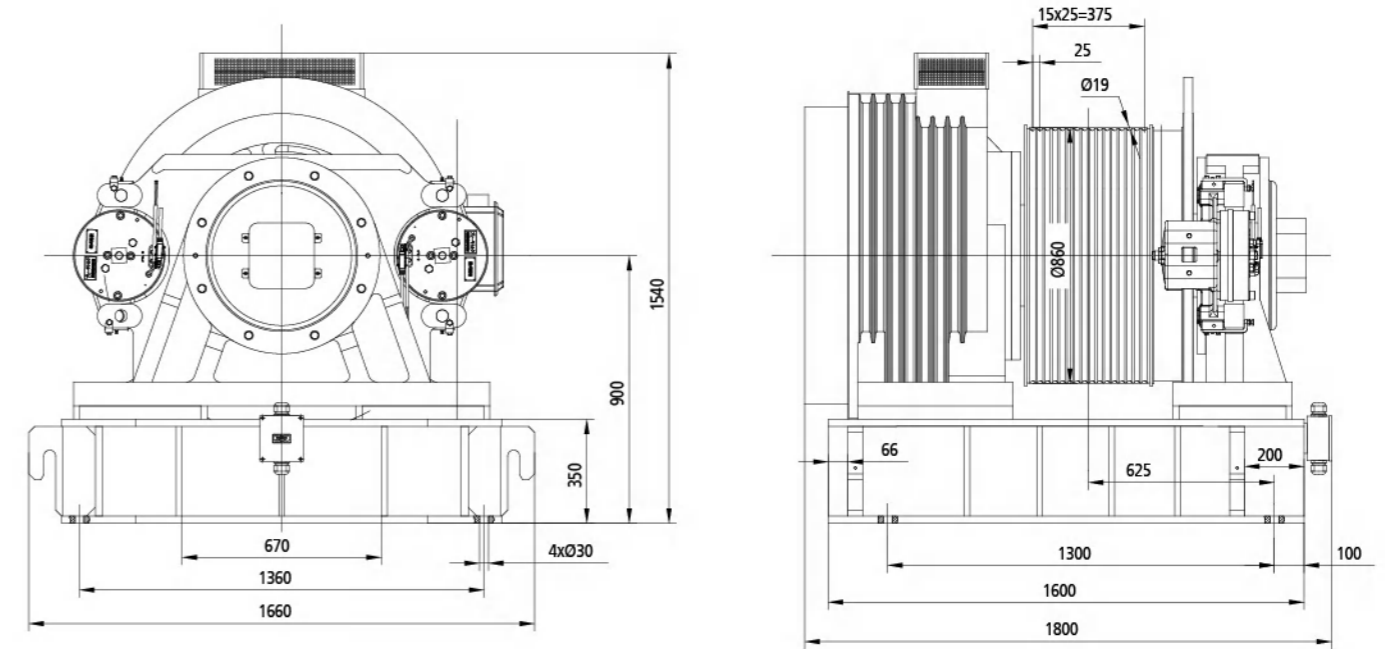
许用径向载荷 Max. axle load	70000kg
曳引机概算重量 Motor weight	8300kg
工作制 Working duty	S5-60%ED
绝缘等级 Ins. class	155(F)
制动器型号及数量 Brake type	2只EC-4035

规格表 Specification table

型号 Product type	曳引比 Traction Ratio	额定 载重 Load (kg)	电梯 额定速度 Elevator Speed (m/s)	额定转速 Rated speed (r/min)	额定转矩 Rated torque (N.m)	电机 Motor				制动器 Brake			曳引轮 Sheave				
						功率 Power (kW)	电压 Voltage (V)	电流 Current (A)	极对数 Poles (p)	频率 Frequency (Hz)	电流 Current (A)	电压 Voltage (V)	制动力矩 Brake torque (N.m)	节径 Diameter (mm)	绳槽 Rope rxd	β角 β angle	γ角 γ angle
GETM70C-1000/2000	1:1	2000	10	222	5635	131	340	290	10	37.0	2x6	DC125	2x7200	860	8xø19	半圆槽 Semi-Circular Groove	25
GETM70C-800/2000			8	178		105		246		29.7							

注：1. 以上信息仅供参考，具体参数请以ODF表为准； 2. 绳槽数量、β角、γ角可根据客户系统进行非标。
Note: 1. Above parameters for information only, final parameters shall be as per ODF. 2. Quantity of rope groove number, β angle and γ angle can be tailor-made according to customer's requests.

外形尺寸图 Overall Dimensions





货梯主机系列 For Cargo Lifts

此蜗轮蜗杆异步曳引机是蜗轮蜗杆减速箱与三相异步电机用联轴器联接组成，采用蜗杆下置，使用双推制动器，其曳引轮采用“双支撑”布置，异步机变频控制，并通过光电编码器检测、反馈和控制。
This worm geared asynchronous traction machine is combined by coupling to integrate worm reduction gearbox and 3 phase synchronous motor, with underlying worm, double push brake, dual support-structured traction sheave, VVVF controlled asynchronous motor and photoelectric encoder for operation status detecting and feedback.



噪音低，震动小，性能可靠，互换性强
low noise, little vibration, stable performance, comprehensive interchangeability

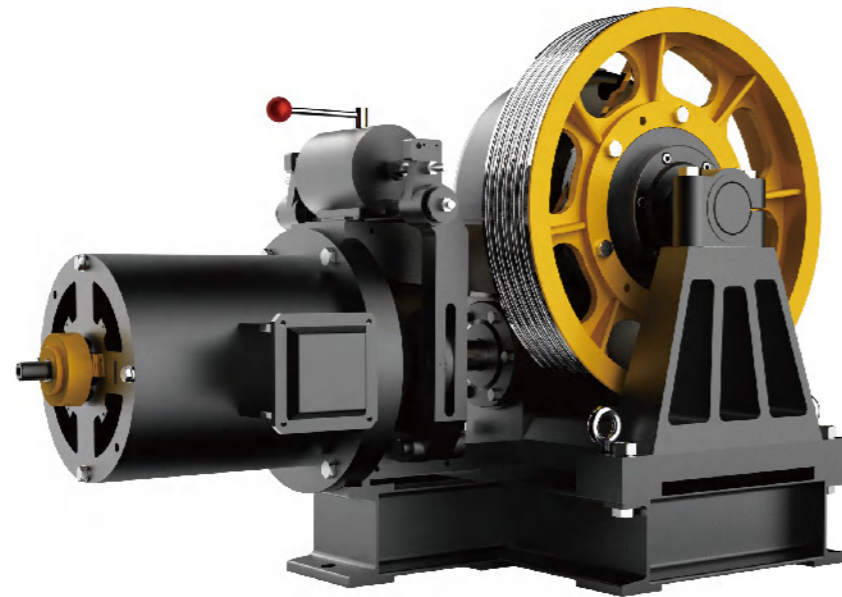


借鉴国外先进装配工艺；优化电机、减速箱等结构
Worldwide advanced assembly technology, optimized motor and reduction gearbox



蜗轮材料：离心铸造铜和锌基合金可选。合理的传动比选择使效率更高，合理的中心距设计，使蜗轮蜗杆使用寿命更长
Worm gear material: centrifugal casted bronze or zinc-base alloy as options, higher efficiency resulted from more rational reduction ratio, and more rational center distance

HYW6.0

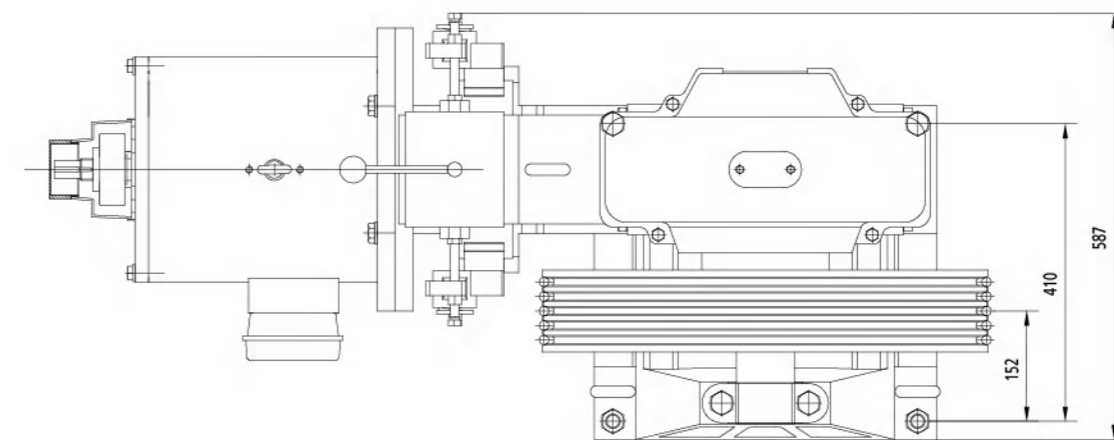
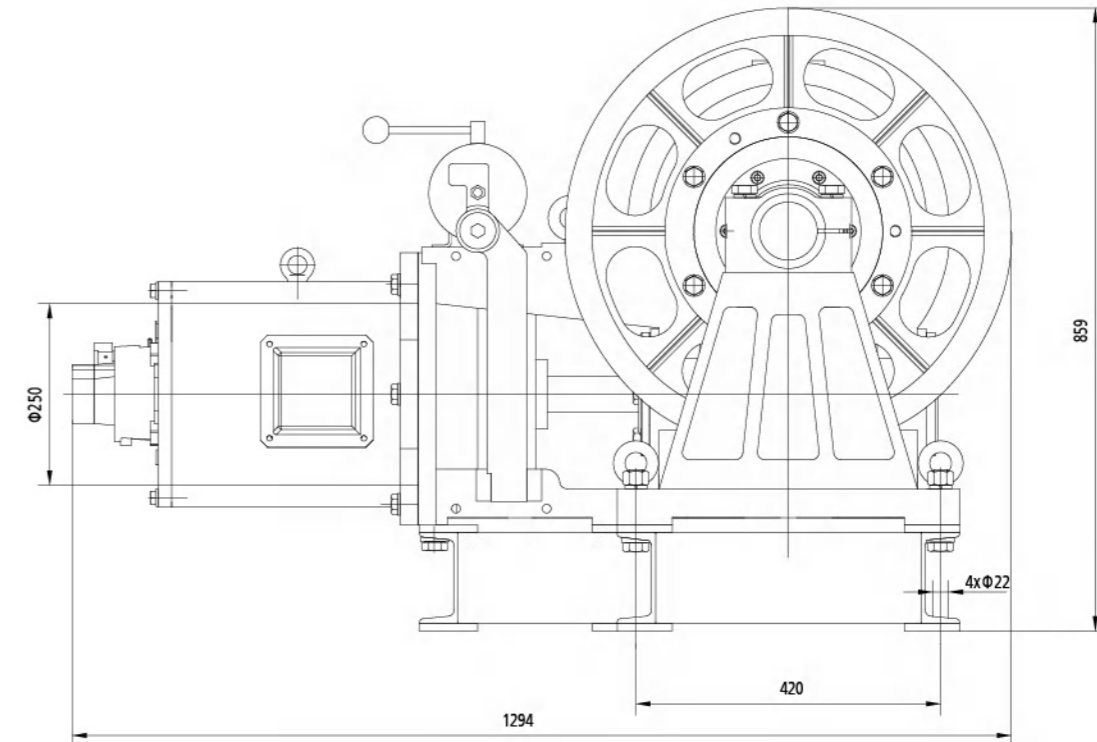


规格表 Specification table

型号 Product type	曳引比 Traction Ratio	额定载重 Load (kg)	额定速度 Elevator Speed (m/s)	传动比 Gear Ratio	额定转速 Rated speed (r/min)	最大轴负荷 Max. Axle Load (kg)	主机重量 Weight (kg)	三相异步电机 Three-Phase Asynchronous Motor					启动次数 (次/小时) Start Frequency (per hour)	制动器 Brake			曳引轮 Sheave					编码器 Encoder	
								功率 Power (kW)	电压 Voltage (V)	电流 Current (A)	转速 Rated speed (r/min)	极对数 Poles (p)		频率 Frequency (Hz)	型号 Product type	电压 Voltage (V)	制动力矩 Brake torque (N.m)	节径 Diameter (mm)	绳槽 Rope rxd	β角 β angle	γ角 γ angle		槽距 Groove pitch (mm)
HYW6.0-100/1000	1:1	1000	1	61:2	2300	6000	620	11	380	25	960	6	50	120	ZTW245-2x100	DC110	2x95	610	5xø13	96.5°	35°	20	HTB-30L24G8-24R1024B-510 (HOUE)
HYW6.0-050/2000	2:1	2000	0.5	61:2	2300	6000	620	11	380	25	960	6	50	120	ZTW245-2x100	DC110	2x95	610	5xø13	96.5°	35°	20	HTB-30L24G8-24R1024B-510 (HOUE)

注：1. 制动器型号规格皆采用五龙制定对应的规格。 2. 左、右置可选用——以站在电机端面对曳引机，曳引轮在左为左置，在右为右置。
 Note: 1. The specification of brake shall be as that from Wulong. 2. Definition of machine position: viewed from the motor end facing the traction machine, it is left-hand type when the sheave is at left side, and right-hand type when the sheave is at right side. Both left-hand type and right-hand type is available.

外形尺寸图 Overall Dimensions



HYW11



规格表 Specification table

型号 Product type	曳引比 Traction Ratio	额定载重 Load (kg)	额定速度 Elevator Speed (m/s)	传动比 Gear Ratio	额定转速 Rated speed (r/min)	最大轴负荷 Max. Axle Load (kg)	主机重量 Weight (kg)	三相异步电机 Three-Phase Asynchronous Motor					启动次数 (次/小时)		制动器 Brake		曳引轮 Sheave					编码器 Encoder
								功率 Power (kW)	电压 Voltage (V)	电流 Current (A)	转速 Rated speed (r/min)	极对数 Poles (p)	频率 Frequency (Hz)	型号 Product type	电压 Voltage (V)	制动力矩 Brake torque (N.m)	绳径 Diameter (mm)	绳槽 Rope rxd	β角 β angle	γ角 γ angle	槽距 Groove pitch (mm)	
HYW11-100/2000	2:1	2000	1	49:2	2600	11000	900	22	380	41	1460	4	50	120	ZTW284-2x150	DC110	2x115	5xø13	105°	25°	20	HTB-30L24G8-24R1024B-S10 (HOUDE)
HYW11-050/4000	4:1	4000	0.5		2600			30	380	59	1450							8xø13	105°	25°	20	
HYW11-100/3000	2:1	3000	1		3300			26	380	50	1450							8xø13	96.5°	30°	20	
HYW11-050/5000	4:1	5000	0.5	3000	850	15	380	32	960	6	2x130	8xø13	105°	25°	20							
HYW11-100/1600	1:1	1600	1	3300					960			8xø13	96.5°	30°	20							
HYW11-050/3000	2:1	3000	0.5	3300					960			8xø13	96.5°	30°	20							
HYW11-025/4000	4:1	4000	0.25	61:2	2600	850	15	380	950	6	2x130	8xø13	105°	25°	20							
HYW11-025/5000	4:1	5000	0.25		3000				950			8xø13	105°	25°	20							

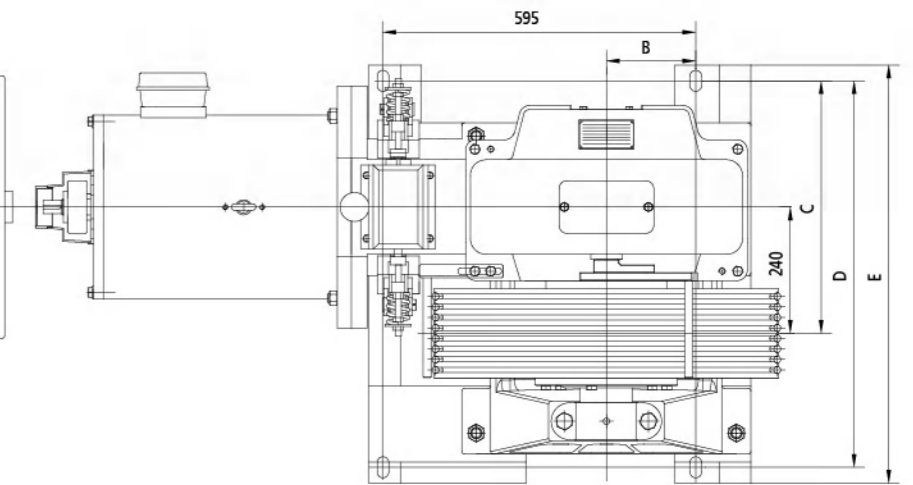
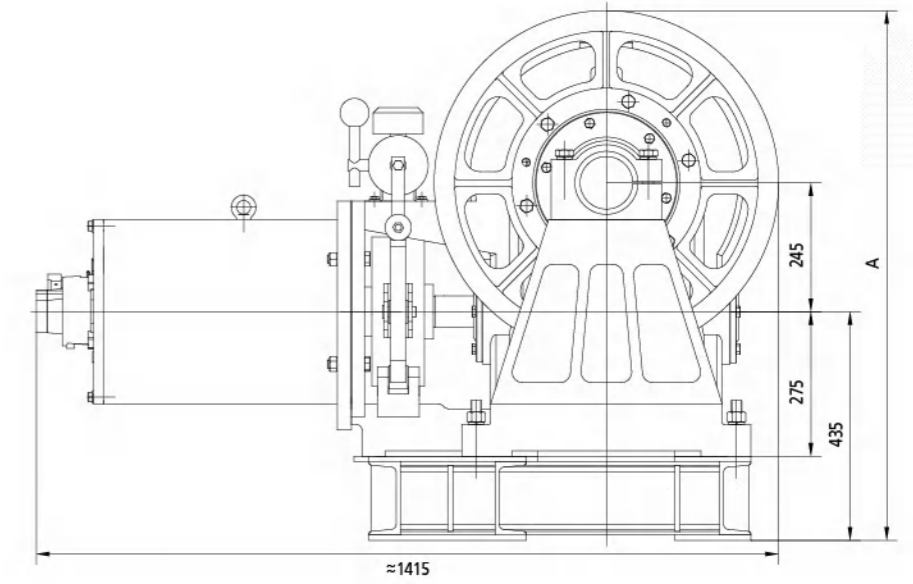
注：1. 制动器型号规格采用五龙制定对应的规格。 2. 左、右置可选用——以站在电机端面对曳引机，曳引轮在左为左置，在右为右置。

Note: 1. The specification of brake shall be as that from Wulong.

2. Definition of machine position: viewed from the motor end facing the traction machine, it is left-hand type when the sheave is at left side, and right-hand type when the sheave is at right side. Both left-hand type and right-hand type is available.

外形尺寸图 Overall Dimensions

额定载重 Load (kg)	额定速度 Elevator Speed (m/s)	曳引比 Traction Ratio	传动比 Gear Ratio	A	B	C	D	E	F
2000	1	2:1	49:2	1007.5	162	450	665	725	115
4000	0.5	4:1			150				
3000	1	2:1							
5000	0.5	4:1	987.5	170		480	735	795	130
1600	1	1:1							
3000	0.5	2:1							
1600	1	1:1	61:2	1007.5	170	480	735	795	130
3000	0.5	2:1							
4000	0.25	4:1							
5000									
4000									
5000									



HYW15

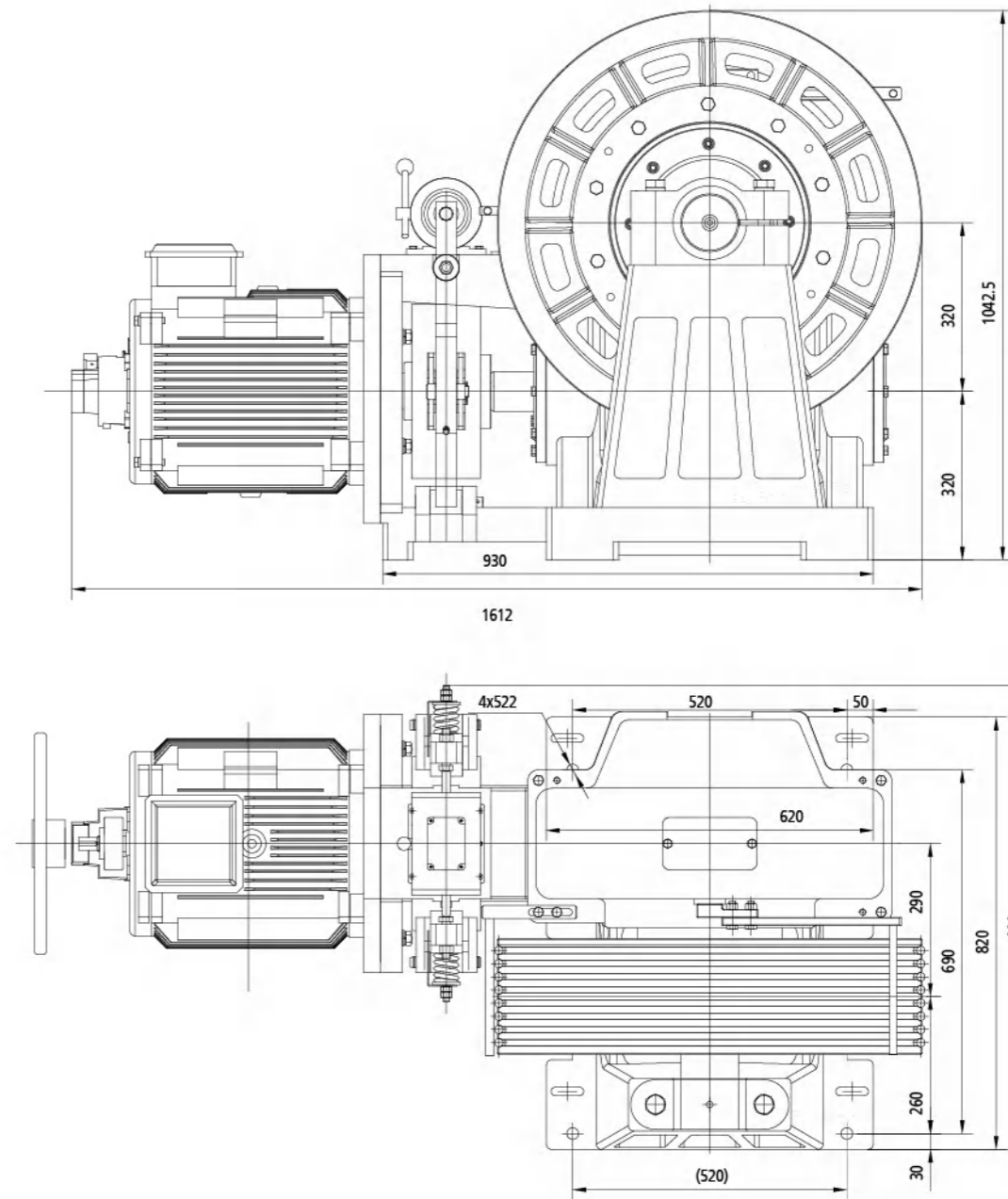


规格表 Specification table

型号 Product type	曳引比 Traction Ratio	额定载重 Load (kg)	额定速度 Elevator Speed (m/s)	传动比 Gear Ratio	额定转速 Rated speed (r/min)	最大轴负荷 Max. Axle Load (kg)	主机重量 Weight (kg)	三相异步电机 Three-phase Asynchronous Motor					制动器 Brake		曳引轮 Sheave					编码器 Encoder			
								功率 Power (kW)	电压 Voltage (V)	电流 Current (A)	转速 Rated speed (r/min)	极对数 Poles (p)	频率 Frequency (Hz)	启动次数 Start Frequency (per hour)	型号 Product type	电压 Voltage (V)	制动力矩 Brake torque (N.m)	节径 Diameter (mm)	绳槽 Rope rxd		β角 β angle	γ角 γ angle	槽距 Groove pitch (mm)
HYW15-200/2500	1:1	2500	2	61:2	7150	15000	1780	45	380	87	1470	4	50	120	ZTW330-2x290	DC110	2x290	800	8xø16	100°	25°	25	HTB-30L24G8-24R1024B-S10 (HOUDE)
HYW15-100/5000	2:1	5000	1																				
HYW15-050/10000	4:1	10000	0.5																				

注：1. 制动器型号规格采用五龙制定对应的规格。 2. 左、右置可选用——以站在电机端面对曳引机，曳引轮在左为左置，在右为右置。
 Note: 1. The specification of brake shall be as that from Wulong. 2. Definition of machine position: viewed from the motor end facing the traction machine, it is left-hand type when the sheave is at left side, and right-hand type when the sheave is at right side. Both left-hand type and right-hand type is available.

外形尺寸图 Overall Dimensions





扶梯主机系列 For Escalator

此蜗轮蜗杆异步曳引机是蜗轮蜗杆减速箱与三相异步电机用联轴器联接组成，采用蜗杆下置，使用双推制动器，其曳引轮采用“双支撑”布置，异步机变频控制，并通过光电编码器检测、反馈和控制。
This worm geared asynchronous traction machine is combined by coupling to integrate worm reduction gearbox and 3 phase synchronous motor, with underlying worm, double push brake, dual support-structured traction sheave, VVVF controlled asynchronous motor and photoelectric encoder for operation status detecting and feedback.



驱动力强劲、平稳
Powerful and stable driving force

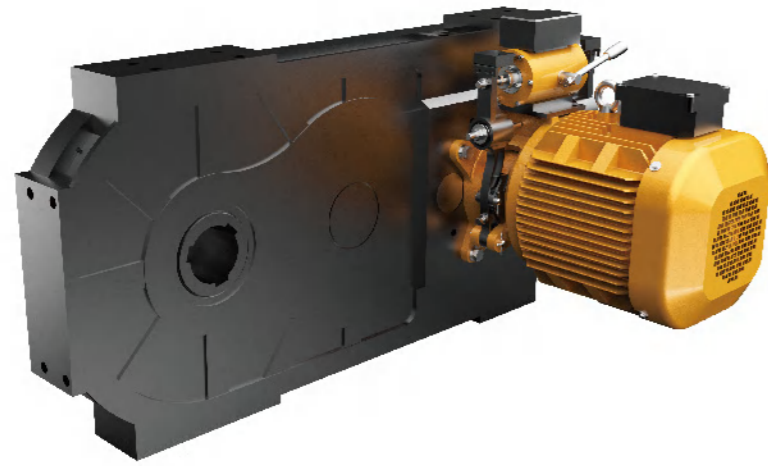


制动及时、可靠
Timely and reliable braking



低噪音减速机
Low noise speed reducer

FYD06

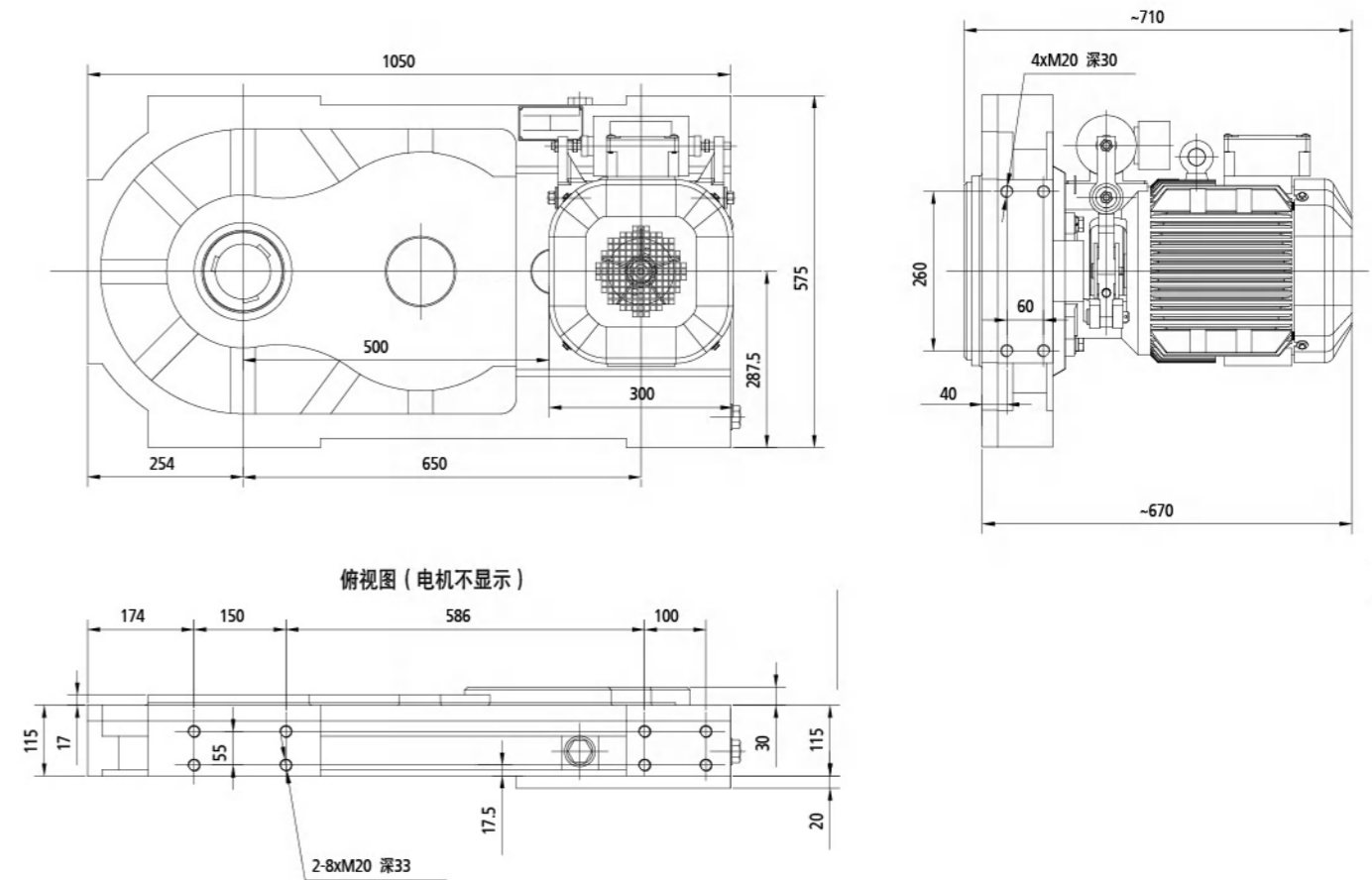


提升高度 Rise height	6m
曳引机概算重量 Motor weight	480kg
工作制 Working duty	S1

型号 Product type	电梯 额定速度 Elevator Speed (m/s)	传动比 Rated speed	额定转矩 Rated torque (N.m)	输出转速 Output Speed (r/min)	三相异步电机 Motor					制动器 Brake		
					功率 Power (kW)	电压 Voltage (V)	电流 Current (A)	极对数 Poles (p)	频率 Frequency (Hz)	型号 Type	电压 Voltage (V)	制动力矩 Brake torque (N.m)
FYD06	0.5	69.56:1	5500	13.9	8.5	380	18.3	6	50	ST-180	AC 220	2x40

注：左、右置可选用——以站在整机扶梯下端，面朝扶梯，主机在左侧为左置，反之为右置
 Note: Left-side or Right-side can be option—Left side means the person stands the bottom of escalator when facing the escalator, Vice versa.

外形尺寸图 Overall Dimensions



图示主机为左置扶梯主机。
 The machine is left-side one for escalator.