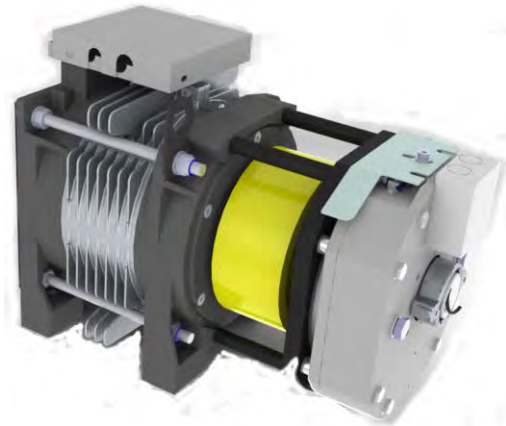
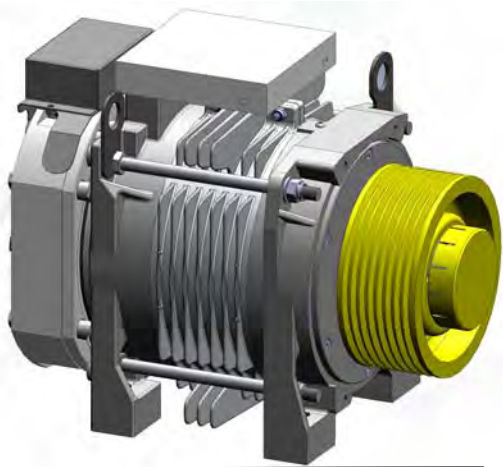


G-200

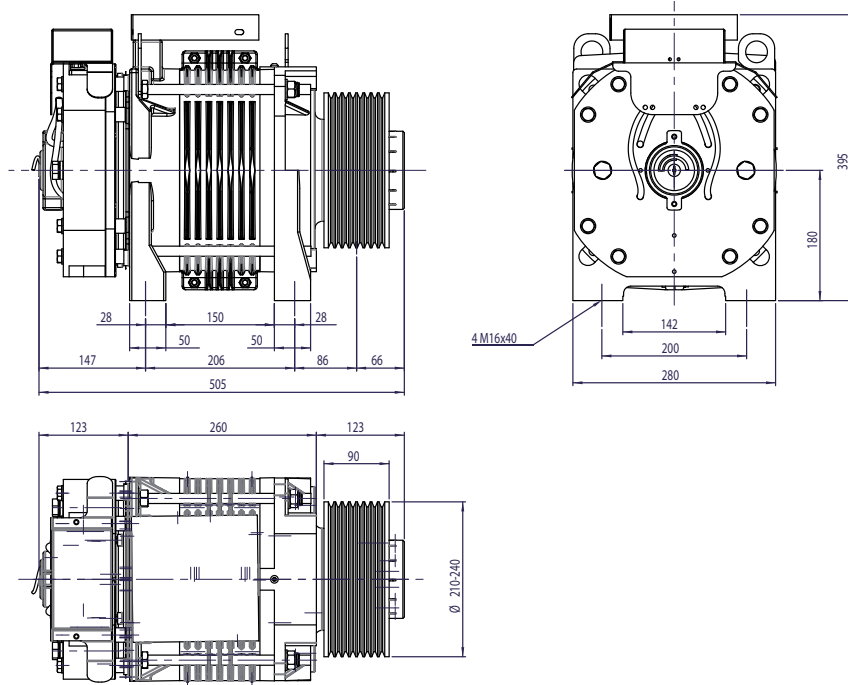


G-200 T1 G-200 CS

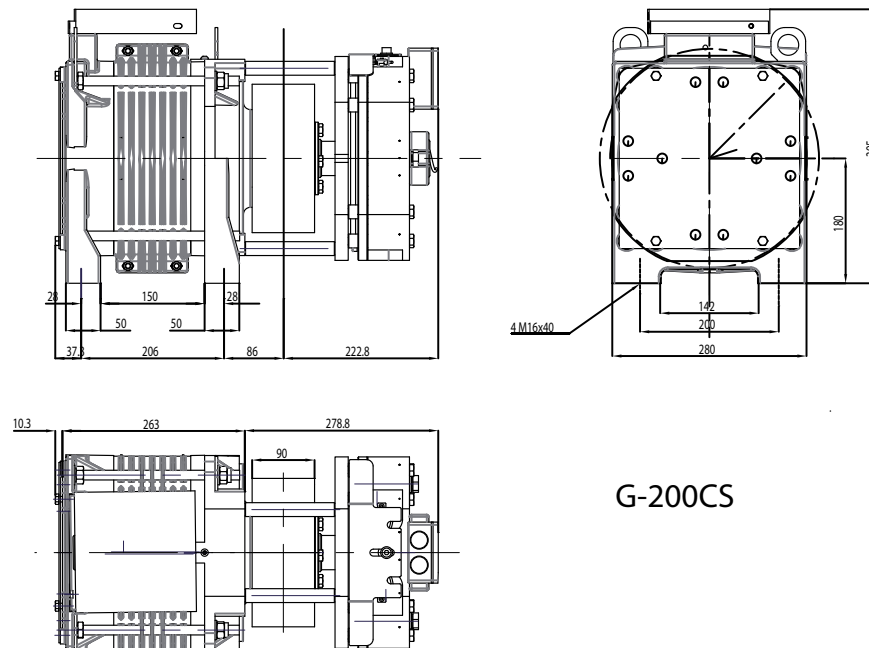
Static load	1600 kg				
Rated torque	190 Nm				
Weight	G-200 L1: 132 kg			G-200 CS: 138 kg	
Duty load [kg]	225	320	400	450	480
Suspension	1/1	2/1	2/1	2/1	2/1
Range of cabin speed [m/s]	0.63-1.60				
Range sheave diameter [mm]	210				
Max ropes combination	n° 8 Ø 6.5mm		n° 8 Ø 6.7mm		

G-200

type T1



type CS



G-200CS